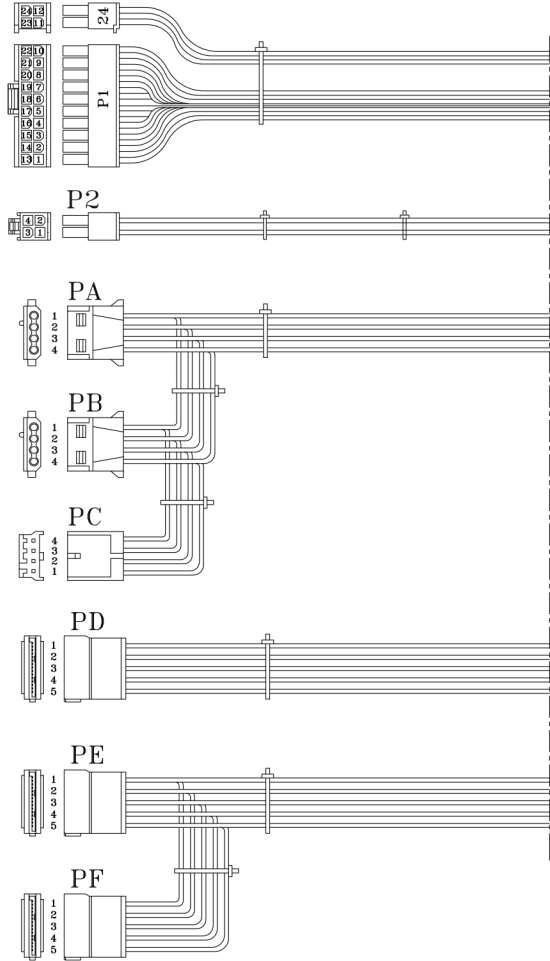
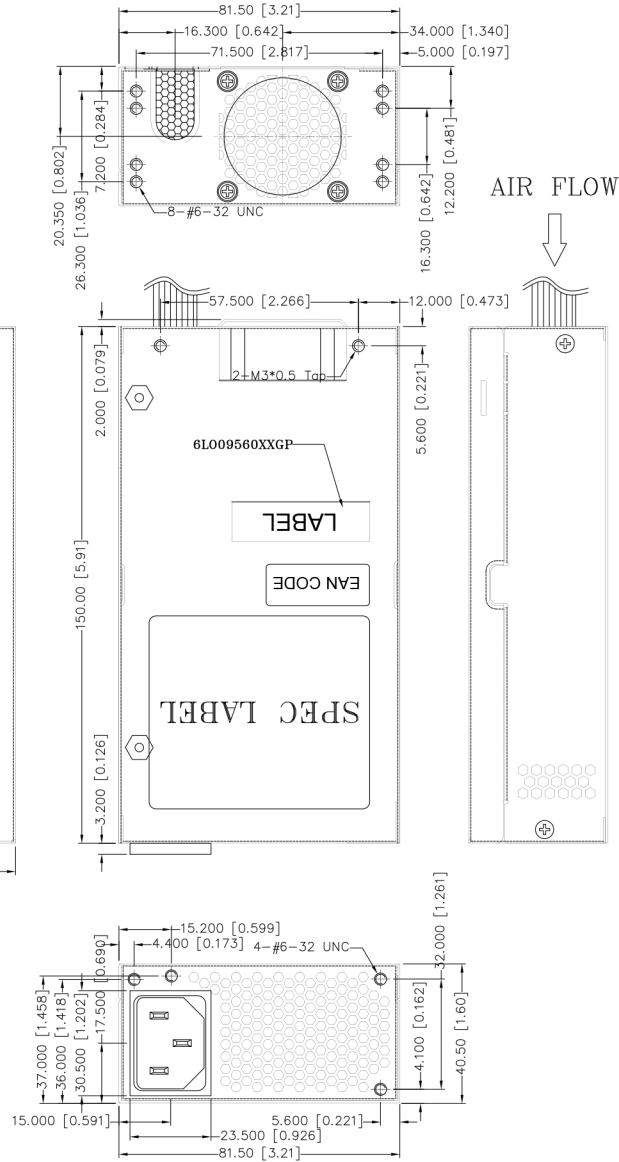
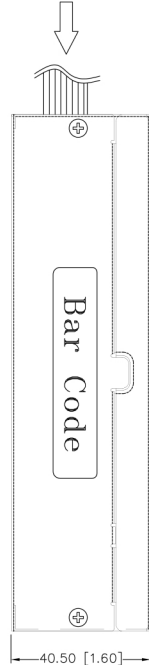


3 圖面修正



AIR FLOW



REF. D.	PIN NO.	SIGNAL	WIRE COLOR	GAUGE	CONNECTOR TYPE	LENGTH		
P1 /24	1	+3.3V	ORANGE	20	WST P20-142002K11D +P4-142002K11D or EQUIV.	300±15 mm		
	2	+3.3V	ORANGE	20				
	3	COM	BLACK	20				
	4	+5V	RED	20				
	5	COM	BLACK	20				
	6	+5V	RED	20				
	7	COM	BLACK	20				
	8	PW-OK	GRAY	22				
	9	+5Vsb	PURPLE	20				
	10	+12V	YELLOW	20				
	11	+12V	YELLOW	20				
	12	+3.3V	ORANGE	20				
	13	+3.3V	ORANGE	20				
	14	+3.3VS	BROWN	22				
	15	-12V	BLUE	22				
	16	COM	BLACK	20				
	17	PS-ON	GREEN	22				
	18	COM	BLACK	20				
	19	COM	BLACK	20				
	20							
	21	+5V	RED	20				
	22	+5V	RED	20				
	23	+5V	RED	20				
	24	COM	BLACK	20				
P2	1	COM	BLACK	20	MOLEX 39-01-2040 or EQUIV.	450±15 mm		
	2	COM	BLACK	20				
	3	+12V	YELLOW	20				
	4	+12V	YELLOW	20				
PA	1	+12V	YELLOW	20	WST P4-A10202 or EQUIV.	250±15 mm		
	2	COM	BLACK	20				
	3	COM	BLACK	20				
	4	+5V	RED	20				
PB	1	+12V	YELLOW	20	WST P4-A10202 or EQUIV.	155±10 mm		
	2	COM	BLACK	20				
	3	COM	BLACK	20				
	4	+5V	RED	20				
PC	1	+5V	RED	20	AMP 171822-4 or EQUIV.	155±10 mm		
	2	COM	BLACK	20				
	3	COM	BLACK	20				
	4	+12V	YELLOW	20				
PD	1	+3.3V	ORANGE	20	MOLEX SD-875B2-001 or EQUIV.	300±15 mm		
	2	COM	BLACK	20				
	3	+5V	RED	20				
	4	COM	BLACK	20				
	5	+12V	YELLOW	20				
PE	1	+3.3V	ORANGE	20	MOLEX SD-875B2-001 or EQUIV.	250±15 mm		
	2	COM	BLACK	20				
	3	+5V	RED	20				
	4	COM	BLACK	20				
	5	+12V	YELLOW	20				
PF ③	1	+3.3V	ORANGE	20	MOLEX SD-875B2-001 or EQUIV.	100±10 mm		
	2	COM	BLACK	20				
	3	+5V	RED	20				
	4	COM	BLACK	20				
	5	+12V	YELLOW	20				

P/N.:9PA250FK08

NOTE:

1. ALL THE LENGTH OF OUTPUT WIRES EXCLUDE HOUSING.
2. 公差: .XX±0.5 [0.02]、.XXX±0.25 [0.01]

UNIT:mm [inch]

MODEL NO. : FSP250-50FEB(F040001)		TITLE: ASSY		SHEET: 1 OF 1		REV:03	
R&D(2)		PE		DRAWN		DATE	
				周書宇		FEB.03.2020	
INTERIOR COUNTERSIGN:							