



# 電氣規格書



ESD-00001220

FSP500-50AAC



全漢企業股份有限公司  
FSP TECHNOLOGY INC.

台灣 桃園市建國東路 22 號  
NO.22, Jianguo E, Rd., Taoyuan city, Taiwan, R.O.C.  
TEL:+886-3-375-9888 FAX:+886-3-375-6966

# SPECIFICATION

## **FSP500-50AAC**

**9PA500C700**

**Main Feature:**

**Meet 2013 ErP**

**Active PFC Circuit**

**Meet Eff. 82%-85%-82% plus**

**ATX 12V V1.4 & EPS 12V V2.92**

**+12V to +5V&+3.3V buck step-down dc-dc converter**

**Jul. 03, 2018**

**Rev: 1.01**



全漢企業股份有限公司  
FSP TECHNOLOGY INC.

## **MODEL : FSP500-50AAC**

### **Revision History**

<u>Rev</u>	<u>Description</u>	<u>Date</u>	<u>Author</u>
1.00	Original	2018/04/12	Maksim
1.01	Revis AGBCE to AAC	2018/07/03	Maksim

## **1. GENERAL DESCRIPTION AND SCOPE**

This is the specification of model FSP500-50AAC AC-line powered switching power supply with active PFC (Power Factor Correction) circuit, meet EN61000-3-2 features.

The specification below is intended to describe as detailed as possible the functions and performance of the subject power supply. Any comment or additional requirements to this specification from our customers will be highly appreciated and treated as a new target for us to approach.

## **2. REFERENCE DOCUMENTS**

The subject power supply will meet the EMI requirements and obtain main safety approvals as following:

### **2.1. EMI REGULATORY**

@EMC

### **2.2. SAFETY**

@CB\_62368

@FCC

@UL

### 3. INPUT ELECTRICAL SPECIFICATIONS

#### 3.1. AC INPUT

Parameter	Min.	Nom. <sup>(1)</sup>	Max.	Unit
V <sub>in</sub> (115Vac)	90	115	135	VAC <sub>rms</sub>
V <sub>in</sub> (230Vac)	180	230	265	VAC <sub>rms</sub>
V <sub>in</sub> Frequency	47	--	63	HZ

◆ Nominal voltages for test purposes are considered to be within  $\pm 1.0V$  of nominal.

#### 3.2. INRUSH CURRENT

Maximum inrush current from power-on (with power on at any point on the AC sine) and including, but not limited to, three line cycles, shall be limited to a level below the surge rating of the input line cord, AC switch if present, bridge rectifier, fuse, and EMI filter components. Repetitive ON/OFF cycling of the AC input voltage should not damage the power supply or cause the input fuse to blow.

#### 3.3. INPUT LINE CURRENT & POWER FACTOR (P.F.)

(At Full load)

AC input	Input line current	P.F. @ Full load
115V	< 6.0Amps – rms	> 0.95
230V	< 3.0Amps – rms	> 0.95

3.4. AC-DC power supplies shall not perform at less than:

(AC input=230V)

1. Power factor 0.8 at 20% of rated output.
2. Power factor 0.9 at 50% of rated output.
3. Power factor 0.95 at 100% of rated output.

#### 3.5. EFFICIENCY

Under the load conditions defined in table 1. And table 2.

The loading condition for testing efficiency shown in Table 1 represents a fully loaded system.

A ~ 50% (typical) loaded system and a ~ 20% (light) loaded system.

**Table1. Loading Table for Efficiency Measurements**

<b>500W(loading shown in Amps)</b>					
<b>Load</b>	<b>+3.3V</b>	<b>+5V</b>	<b>+12V</b>	<b>-12V</b>	<b>+5Vsb</b>
<b>Light</b>	<b>1.956</b>	<b>1.956</b>	<b>6.763</b>	<b>0.049</b>	<b>0.406</b>
<b>Typical</b>	<b>4.89</b>	<b>4.89</b>	<b>16.907</b>	<b>0.122</b>	<b>1.015</b>
<b>Full</b>	<b>9.779</b>	<b>9.779</b>	<b>33.814</b>	<b>0.243</b>	<b>2.029</b>

**Table2. Minimum Efficiency**

<b>Load</b>	<b>Voltage</b>	<b>Light</b>	<b>Typical</b>	<b>Full</b>
<b>Required Minimum Efficiency</b>	<b>115V</b>	<b>82%</b>	<b>85%</b>	<b>82%</b>
	<b>230V</b>			

**3.6 Standby Power Consumption (+5Vsb):**

Efficiency &gt; 45% @ 5Vsb/45mA &amp; 230Vac input (2013 Lot 6)

Efficiency &gt; 75% @ 5Vsb/550mA &amp; 230Vac input

Efficiency &gt; 75% @ 5Vsb/1A &amp; 230Vac input

Efficiency &gt; 75% @ 5Vsb/1.5A &amp; 230Vac input

Efficiency &gt; 75% @ 5Vsb/2.5A &amp; 230Vac input

**4. OUTPUT ELECTRICAL REQUIREMENTS****4.1. OUTPUT VOLTAGE AND CURRENT RATING**

<b>Output</b>	<b>Minimum load</b>	<b>Normal load</b>	<b>Maximum load</b>	<b>Load Reg.</b>	<b>Line Reg.</b>	<b>Ripple &amp; Noise</b>
+3.3V	0A	10A	20A	±5%	±1%	50mV P-P
+5V	0A	10A	20A	±5%	±1%	50mV P-P
+12V	0A	20.83A	41.66A	±5%	±1%	120mV P-P
-12V	0A	0.15A	0.3A	±10%	±1%	120mV P-P
+5Vsb	0A	1.25A	2.5A	±5%	±1%	50mV P-P

(1) +3.3V &amp; +5V total output not exceed 100W.

(2) Maximum combined current for the +12V outputs shall be 41.66A.

Voltages and ripple are measured at the load side of mating connectors with a 0.1uF monolithic ceramic capacitor paralleled by a 10uF electrolytic capacitor across the measuring terminals.

#### 4.2. LOAD CAPACITY SPECIFICATIONS

The cross regulation defined as follows, the voltage regulation limits DC include DC Output ripple & noise.

LOAD	+3.3V	+5V	+12V	-12V	+5Vsb
Condition_1	X	X	X	X	2.5A
Condition_2	0A	0A	0A	0A	0A
Condition_3	0A	0A	2A	0.3A	0.1A
Condition_4	0A	20A	0A	0.1A	0.1A
Condition_5	20A	0A	0A	0.1A	0.1A
Condition_6	20A	6.8A	31.99A	0.3A	2.5A
Condition_7	0A	20A	31.99A	0.3A	2.5A
Condition_8	0A	0A	41.66A	0.1A	0.1A

#### 4.3. OVER VOLTAGE PROTECTION

Voltage Source	Over Voltage Protection Point
+3.3V	3.76V-4.8V
+5V	5.74V-7V
+12V	13.4V-16V

#### 4.4. SHORT CIRCUIT PROTECTION

Output short circuit is defined to be a short circuit load of less than 0.1 ohm.

In the event of an output short circuit condition on +3.3V, +5V, +12V or -12V output, the power supply will shut down and latch off without damage to the power supply. The power supply shall return to normal operation after the short circuit has been removed and the power switch has been turned off for no more than 2 seconds.

#### 4.5. OVER CURRENT PROTECTION

Test: Light load

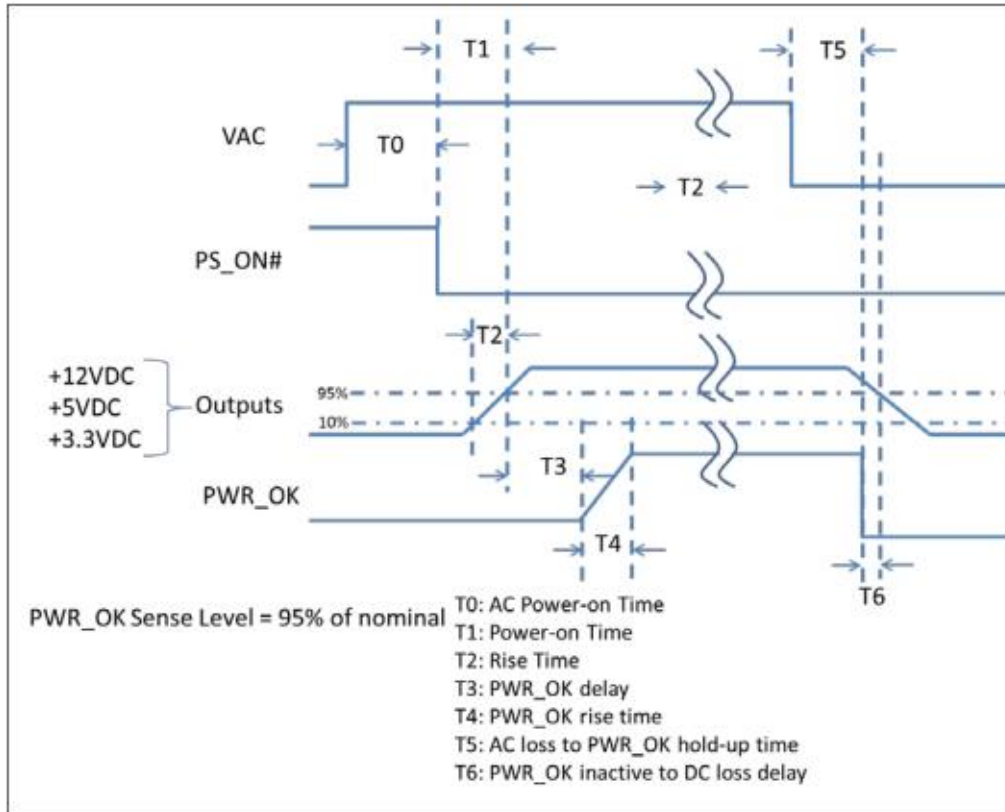
Output voltage	Over current limit
+3.3V	22A~30A
+5V	22A~30A
+12V	45A~55A

#### 4.6. OVER POWER PROTECTION

The power supply shall be shut down and latch off

When the output wattage of the power supply is higher from 600W to 750W

#### 4.7. POWER SIGNAL



Parameter	Description	Value		
		Required	Recommended for non-alternative sleep mode	Recommended for alternative sleep mode
T0	AC power on time	<2s	-	-
T1	Power-on time	< 500ms	< 200ms	<150ms
T2	Rise time	0.2 – 20 ms	-	-
T3	PWR_OK delay	100* – 500 ms	100ms* – 250 ms	100ms* – 150ms
T4	PWR_OK rise time	< 10 ms	-	-
T5	AC loss to PWR_OK hold-up time	> 16 ms	-	-
T6	PWR_OK inactive to DC loss delay	> 1 ms	-	-

The output voltage will remain within specification, in the event that the input power is removed or interrupted, for the duration of one cycle of the input frequency. The interruption may occur at any point in the AC voltage cycle. The power good signal shall remain high during this test.



**4.8. HOLD-UP TIME (80% Full load)**

115V / 60Hz & 230V / 50Hz : 17 mSec. Minimum.

**4.9. Dynamic**

LOAD	+3.3V	+5V	+12V	-12V	+5Vsb
+3.3V	14A~20A	6.8A	31.99A	0.3A	2.5A
+5V	0A	14A~20A	31.99A	0.3A	2.5A
+12V	0A	0A	25A~41.66A	0.1A	0.1A
Capacitive Load	3300uF	3300uF	3300uF	330uF	3300uF

**5. FAN NOISE REQUIREMENTS**

The subject power supply is cooled by a self-contained, 120mm, 12VDC fan.

**5.1. FAN NOISE**

AC INPUT	Full load	Typical load	Light load
115V	Noise < 45dB	Noise < 27dB	Noise < 27dB
230V			

**6. ENVIRONMENTAL REQUIREMENTS**

The power supply will be compliant with each item in this specification for the following environmental conditions.

**6.1. TEMPERATURE RANGE**

Operating	+0 to +40 deg. C
Storage	-20 to +70 deg. C

**6.2. HUMIDITY**

Operating	5 –95% RH, Non-condensing
Storage	5 –95% RH, Non-condensing

**6.3. VIBRATION**

Random Vibration

0.01g<sup>2</sup>/ Hz at 5 Hz, sloping to 0.02g<sup>2</sup>/ Hz at 20 Hz, and maintaining 0.02g<sup>2</sup>/ Hz from 20Hz to 500Hz. The area under the PSD curve is 3.13g RMS.

The duration shall be 20 minutes per axis for all three axes on all samples.

## **7. SAFETY TESTING**

### **7.1. GROUND LEAKAGE CURRENT**

The power supply ground leakage current shall be less than 3.5 mA.

### **7.2. DIELECTRIC STRENGTH**

Primary to Frame Ground : 1800Vac for 1 sec.

Primary to Secondary : 1800Vac for 1 sec

### **7.3. INSULATION RESISTANCE**

Primary to Frame Ground : 20M ohm , Minimum

Primary to Secondary : 20M ohm , Minimum

## **8. RELIABILITY**

### **8.1. RELIABILITY**

The power supply reliability, When calculated by MIL-HDBK-217;latest revision, are exceed 100,000 hours with all output at maximum load and an ambient temperature of 25°C .

## **9. LABELLING**

Label marking will be permanent, legible and complied with all agency requirements.

### **9.1. MODEL NUMBER LABEL**

Labels will be affixed to the sides of the power supply showing the following:

- Manufacturer's name and logo.
- Model no., serial no., revision level, location of manufacturer.
- The total power output and the maximum load for each output.
- AC input rating.

## **10. MECHANICAL SPECIFICATIONS**

The mechanical drawing of the subject power supply, which indicate the form factor, location of The mounting holes, location, the length of the connectors, and other physical specifications of the subject power supply. Please refer to the attachment drawing.