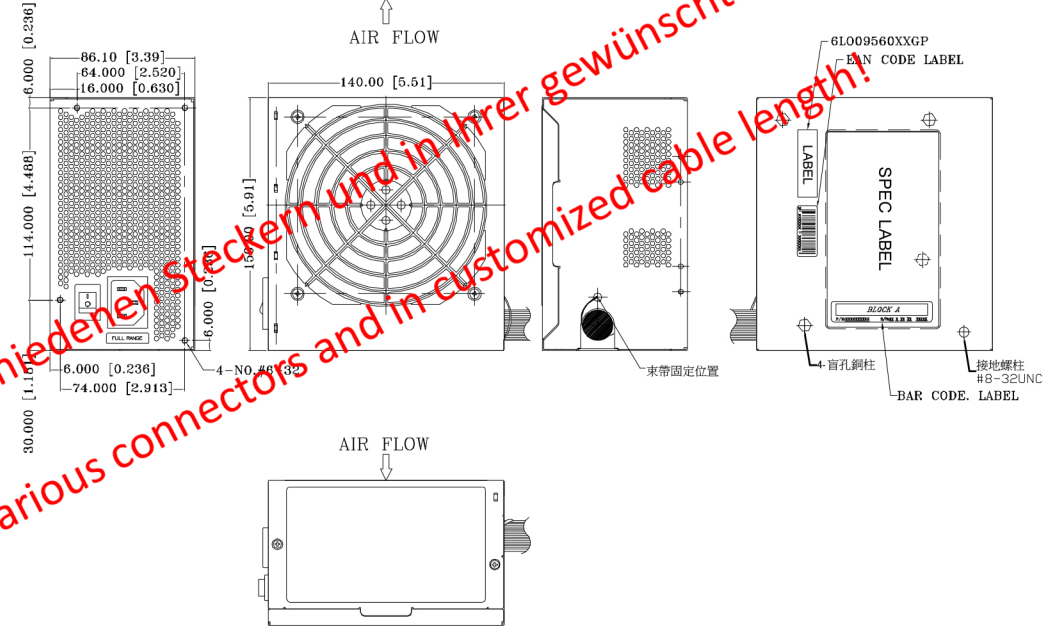
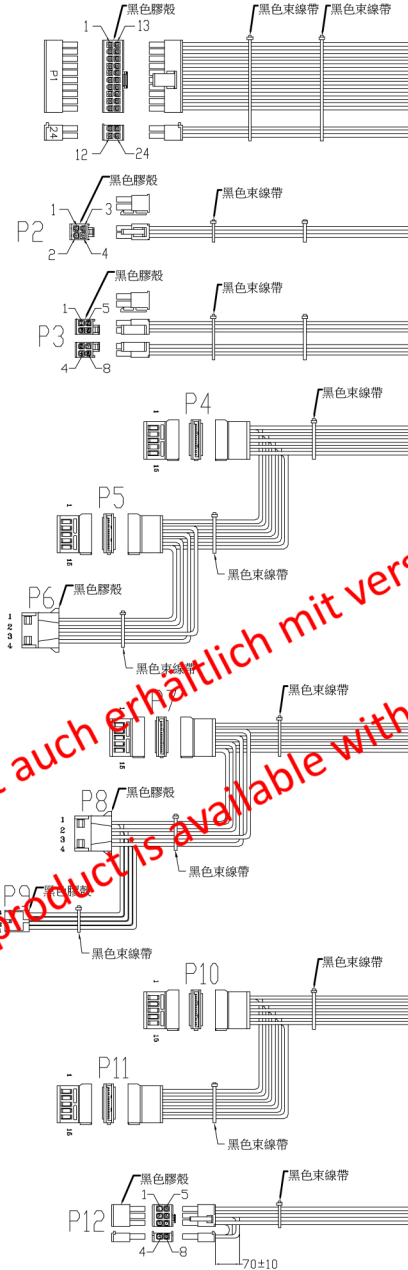


REF. ID.	PIN NO.	SIGNAL	WIRE COLOR	GAUGE	CONNECTOR TYPE	CABLE LENGTH			
P1/24	1	+3.3VDC	ORANGE	18	WST P20-I42002K11D+ P4-I42002K11D or EQUIV.	500±10mm			
	2	+3.3VDC	ORANGE	18					
	3	COM	BLACK	18					
	4	+5VDC	RED	18					
	5	COM	BLACK	18					
	6	+5VDC	RED	18					
	7	COM	BLACK	18					
	8	PW_OK	GRAY	24					
	9	+5Vsb	PURPLE	20					
	10	+12V	YELLOW	18					
	11	+12V	YELLOW	18					
	12	+3.3VDC	ORANGE	18					
	13	+3.3VDC	ORANGE	18					
	14	+3.3Vsense	BROWN	24					
	15	-12VDC	BLUE	24					
	16	COM	BLACK	18					
	17	PS_ON#	GREEN	24					
	18	COM	BLACK	18					
	19	COM	BLACK	18					
	20								
	P2	21	+5VDC	RED			18	MOLEX 39-01-2040 or EQUIV.	550±10mm
		22	+5VDC	RED			18		
		23	+5Vsense	RED			24		
		24	+5VDC	RED			18		
		COM	BLACK	18					
P3	1	COM	BLACK	18	WST P4-I42002BK3B+ P4-I42002BK4B or EQUIV.	550±10mm			
	2	COM	BLACK	18					
	3	COM	BLACK	18					
	4	COM	BLACK	18					
	5	+12V	YELLOW	18					
	6	+12V	YELLOW	18					
	7	+12V	YELLOW	18					
	8	+12V	YELLOW	18					
P4/P10	1	+3.3VDC	ORANGE	20	MOLEX SD-67582-001 or EQUIV.	320±10mm			
	2	COM	BLACK	20					
	3	+5VDC	RED	20					
	4	COM	BLACK	20					
	5	+12V	YELLOW	20					
P5/P11	1	+3.3VDC	ORANGE	20	MOLEX SD-67582-001 or EQUIV.	150±10mm			
	2	COM	BLACK	20					
	3	+5VDC	RED	20					
	4	COM	BLACK	20					
	5	+12V	YELLOW	20					
P6/P8	1	+12V	YELLOW	20	AMP 1-480424-0 or EQUIV.	150±10mm			
	2	COM	BLACK	20					
	3	COM	BLACK	20					
	4	+5VDC	RED	20					
P7	1	+3.3VDC	ORANGE	20	MOLEX SD-67582-001 or EQUIV.	400±10mm			
	2	COM	BLACK	20					
	3	+5VDC	RED	20					
	4	COM	BLACK	20					
	5	+12V	YELLOW	20					
P9	1	+5VDC	RED	24	AMP 171822-4 or EQUIV.	150±10mm			
	2	COM	BLACK	24					
	3	COM	BLACK	24					
	4	+12V	YELLOW	24					
	5	+12V	YELLOW	24					
P12	1	+12V	YELLOW	20	WST P8-I42002K21B-B or EQUIV.	400±10mm			
	2	+12V	YELLOW	20		70±10mm			
	3	+12V	YELLOW	20		400±10mm			
	4	COM	BLACK	20		70±10mm			
	5	COM	BLACK	20					
	6	COM	BLACK	20					
	7	COM	BLACK	20					
	8	COM	BLACK	20					



NOTES:

1. ALL THE LENGTH OF OUTPUT WIRES EXCLUDE HOUSING.
2. 產地標籤依業務指示加貼.
3. 公差: .XX=±0.5 [0.02]、.XXX=±0.25 [0.01].
4. CASE顏色為黑色平光考漆(PANTONE BLACK U). CASE及風扇固定螺絲均為黑色螺絲.

P/N.:9PA500C708

MODEL NO. :FSP500-50AAC,(F040001)		TITLE:ASSY	SHEET: 1 OF 1	REV:01
R&D 8	PE	DRAWN	DATE	
			DEC.12.2019	

UNIT:mm [inch]

Das aufgeführte Produkt ist auch erhältlich mit verschiedenen Steckern und in Ihrer gewünschten Kabellänge!
This product is available with various connectors and in customized cable length!