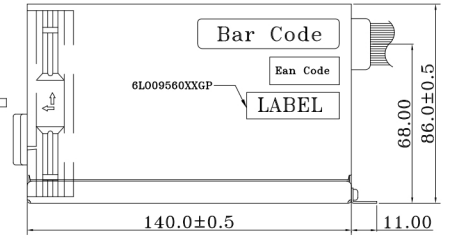
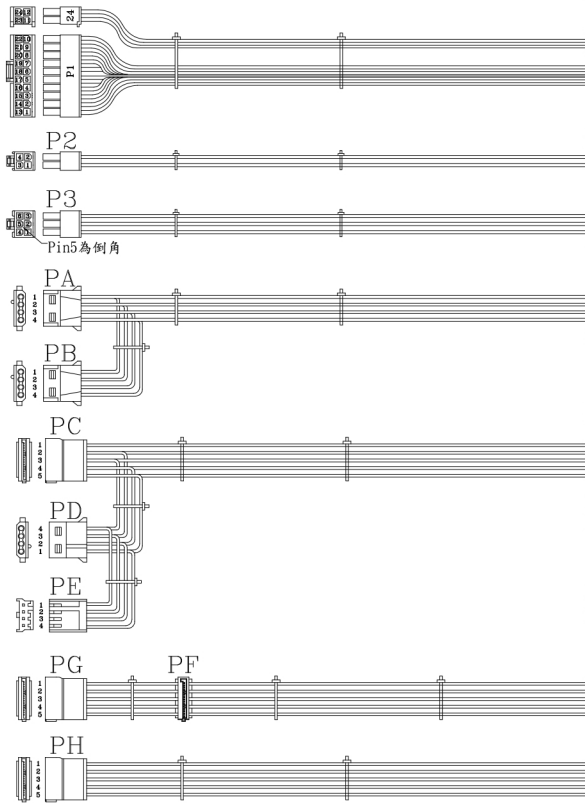
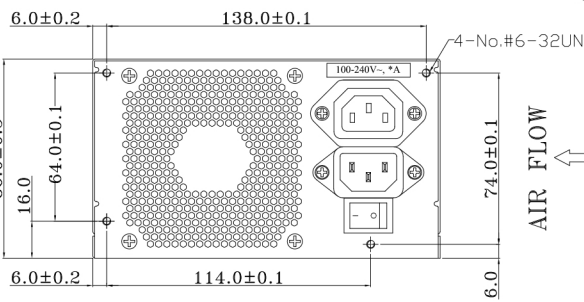
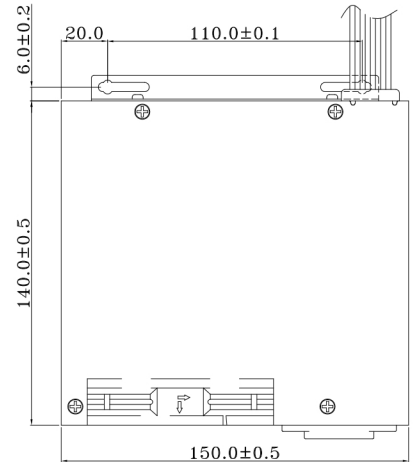
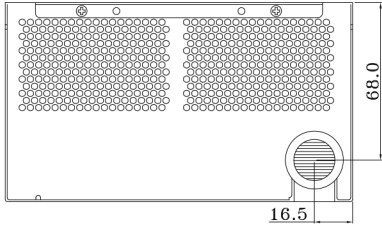


REF. ID	PIN NO.	SIGNAL	WIRE COLOR	GAUGE	CONNECTOR TYPE	CABLE LENGTH
P1 / 24	1	+3.3VDC	ORANGE	20	WST P20-142002K11D +P4-142002K11D or EQUIV.	500±15mm
	2	+3.3VDC	ORANGE	20		
	3	COM	BLACK	20		
	4	+5VDC	RED	20		
	5	COM	BLACK	20		
	6	+5VDC	RED	20		
	7	COM	BLACK	20		
	8	PW-ON	GRAY	22		
	9	+5Vsb	PURPLE	20		
	10	+12V2	YELLOW	20		
	11	+12V2	YELLOW	20		
	12	+3.3VDC	ORANGE	20		
	13	+3.3VDC	ORANGE	20		
	14	+3.3Vsense	BROWN	22		
	15	-12VDC	BLUE	22		
	16	COM	BLACK	20		
	17	PS-ON	GREEN	22		
	18	COM	BLACK	20		
	19	COM	BLACK	20		
	20	-5VDC	WHITE	22		
	21	+5VDC	RED	20		
	22	+5VDC	RED	20		
	23	+5VDC	RED	20		
	24	COM	BLACK	20		
P2	1	COM	BLACK	20	MOLEX 39-01-2040 or EQUIV.	500±15mm
	2	COM	BLACK	20		
	3	+12V1	Yel/Black	20		
	4	+12V1	Yel/Black	20		
P3	1	+12V1	Yel/Black	20	WST P6-142002BK5 or EQUIV. (BLACK)	500±15mm
	2	+12V1	Yel/Black	20		
	3	+12V1	Yel/Black	20		
	4	COM	BLACK	20		
	5	COM	BLACK	20		
	6	COM	BLACK	20		
PA	1	+12V2	YELLOW	20	WST P4-142002 or EQUIV.	500±15mm
	2	COM	BLACK	20		
	3	COM	BLACK	20		
	4	+5V	RED	20		
PB	1	+12V2	YELLOW	20	WST P4-142002 or EQUIV.	150±10mm
	2	COM	BLACK	20		
	3	COM	BLACK	20		
	4	+5V	RED	20		
PD	1	+3.3VDC	ORANGE	20	MOLEX SD-67926-0011 or EQUIV.	500±15mm
	2	COM	BLACK	20		
	3	+5V	RED	20		
	4	COM	BLACK	20		
PH	1	+12V2	YELLOW	20	AMP 171822-4 or EQUIV.	150±10mm
	2	COM	BLACK	22		
	3	COM	BLACK	22		
	4	+12V2	YELLOW	22		
	5	+12V2	YELLOW	22		
PE	1	+3.3VDC	ORANGE	20	MOLEX SD-67926-0311 or EQUIV.	500±15mm
	2	COM	BLACK	20		
	3	+5V	RED	20		
	4	COM	BLACK	20		
	5	+12V2	YELLOW	20		
PF	1	+3.3VDC	ORANGE	20	MOLEX SD-67582-001 or EQUIV.	150±10mm
	2	COM	BLACK	20		
	3	+5V	RED	20		
	4	COM	BLACK	20		
	5	+12V2	YELLOW	20		
PG	1	+3.3VDC	ORANGE	20	MOLEX SD-67582-001 or EQUIV.	150±10mm
	2	COM	BLACK	20		
	3	+5V	RED	20		
	4	COM	BLACK	20		
	5	+12V2	YELLOW	20		



P/N.:9PA400CV03

NOTE:
1. ALL THE LENGTH OF OUTPUT WIRES EXCLUDE HOUSING.

MODEL NO. : FSP400-70AGB(F040001)	TITLE: ASSY	SHEET: 1 OF 1	REV:01
R&D(2)	PE	DRAWN	DATE
		周書宇	MAY.04.2020
INTERIOR COUNTERSIGN:			

UNIT:mm