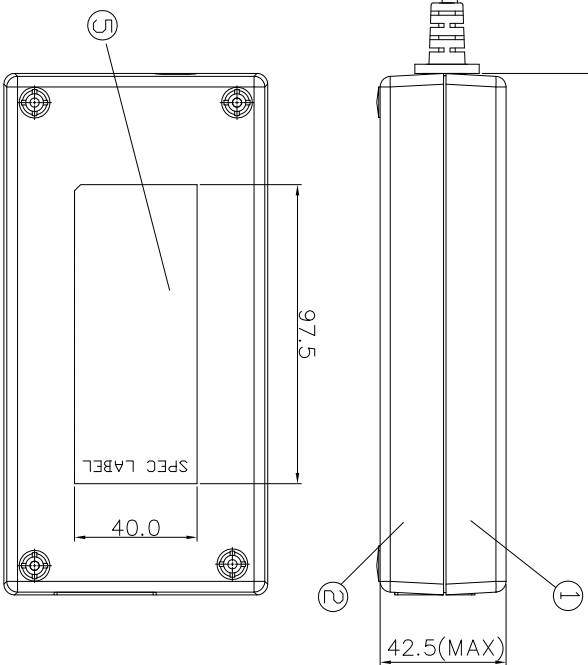


DIN PLUG	POLARITY	COLOR	ITEM	PART NAME	COLOR
P1	VO(+)	WHITE	1	COVER	BLACK
P2			2	CHASSIS	BLACK
P3			3	POWER CORD	BLACK
P4	GND(-)	BLACK	4	SOCKET	BLACK
			5	LABEL	BLACK



SCALE:  
UNT: mm



MODEL NO. : FSP180-AAAN2	TITLE: Physical Dimension	P/N: 9NA1803000	
R&D3 Division	PE	DRAWN	DATE
LJ	MATISSE	MATISSE	2015-5-7
INTERIOR COUNTERSIGN:			