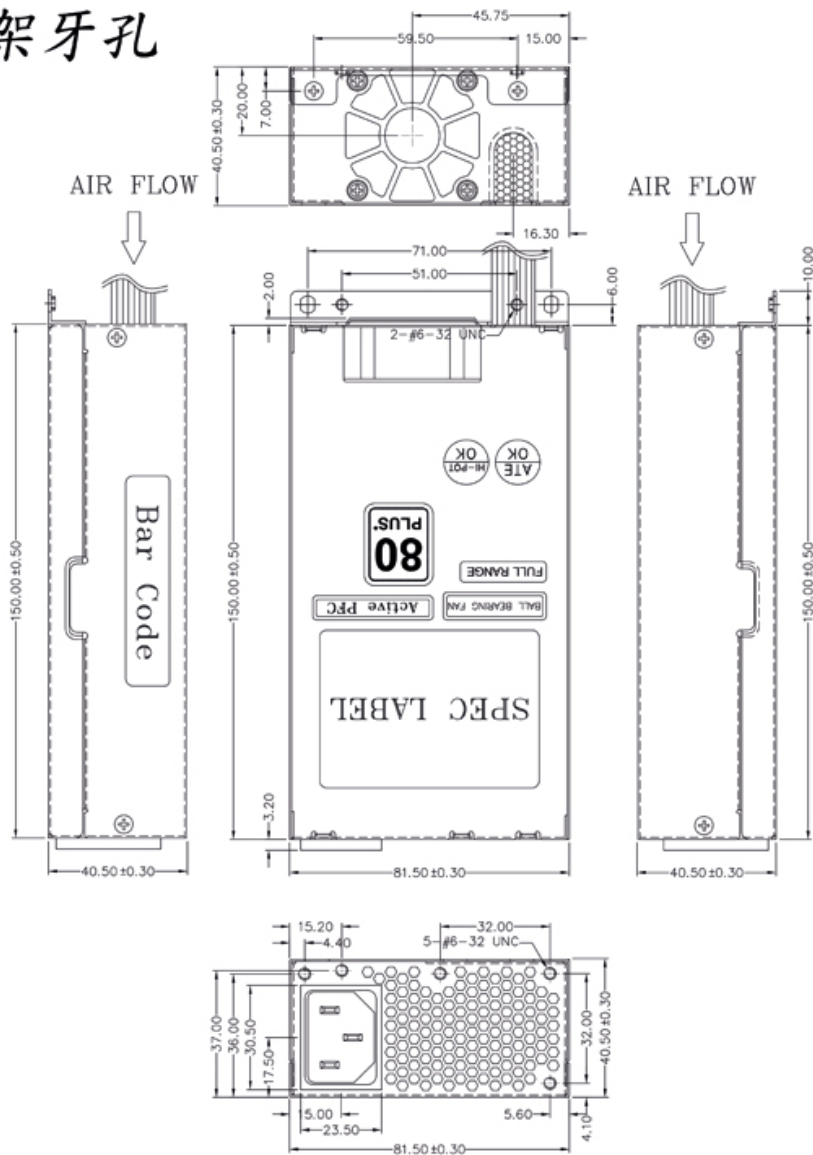
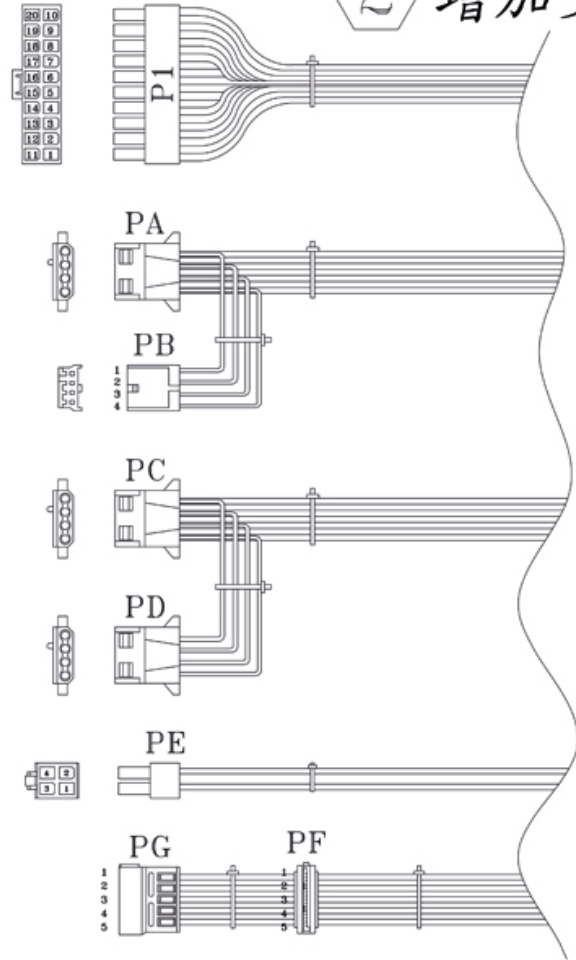


② 增加支架牙孔



REF. D.	PIN NO.	SIGNAL	WIRE COLOR	GAUGE	CONNECTOR TYPE	LENGTH		
P1	1	+3.3V	ORANGE	20	MOLEX 39-01-2200 or EQUIV.	200±15 mm		
	2	+3.3V	ORANGE	20				
	3	COM	BLACK	20				
	4	+5V	RED	20				
	5	COM	BLACK	20				
	6	+5V	RED	20				
	7	COM	BLACK	20				
	8	PW-OK	GRAY	24				
	9	+5Vsb	PURPLE	20				
	10	+12V2	YELLOW	20				
	11	+3.3V	ORANGE	20				
	12	+3.3Vs	BROWN	24				
	13	-12V	BLUE	24				
	14	COM	BLACK	20				
	15	COM	BLACK	20				
	16	COM	BLACK	20				
	17	COM	BLACK	20				
	18							
	19	+5V	RED	20				
	20	+5V	RED	20				
PA	1	+12V2	YELLOW	20	AMP 480424-0 or EQUIV.	250±15 mm		
	2	COM	BLACK	20				
	3	COM	BLACK	20				
	4	+5V	RED	20				
PC	1	+12V2	YELLOW	20	AMP 480424-0 or EQUIV.	310±15 mm		
	2	COM	BLACK	20				
	3	COM	BLACK	20				
	4	+5V	RED	20				
PB	1	+12V2	YELLOW	20	AMP 171822-4 or EQUIV.	150±10 mm		
	2	COM	BLACK	20				
	3	COM	BLACK	20				
	4	+5V	RED	20				
PD	1	+12V2	YELLOW	20	AMP 480424-0 or EQUIV.	150±10 mm		
	2	COM	BLACK	20				
	3	COM	BLACK	20				
	4	+5V	RED	20				
PE	1	COM	BLACK	20	MOLEX 39-01-2040 or EQUIV.	310±15 mm		
	2	COM	BLACK	20				
	3	+12V1	Yel/Blk	20				
	4	+12V1	Yel/Blk	20				
PF	1	+12V2	YELLOW	20	CI1271H80-15P or EQUIV.	310±15 mm		
	2	COM	BLACK	20				
	3	+5V	RED	20				
	4	COM	BLACK	20				
	5	+3.3V	ORANGE	20				
PG	1	+12V2	YELLOW	20	CI1270H00-15P or EQUIV.	150±10 mm		
	2	COM	BLACK	20				
	3	+5V	RED	20				
	4	COM	BLACK	20				

NOTE:

1. ALL THE LENGTH OF OUTPUT WIRES EXCLUDE HOUSING.
2. 產地標籤依業務指示加貼.

UNIT:mm

MODEL NO. : FSP220-60LE(F66251)		TITLE: ASSY		SHEET: 1 OF 1		REV:02
R&D(2)	PE	DRAWN	DATE			
		樂家龍	Sep.09.2008			
INTERIOR COUNTERSIGN:						