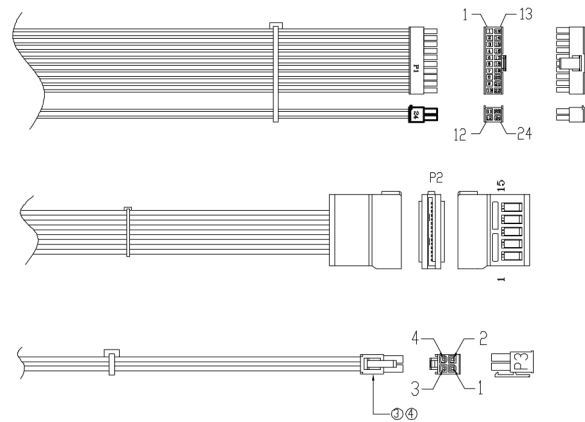
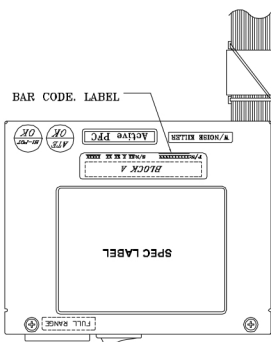
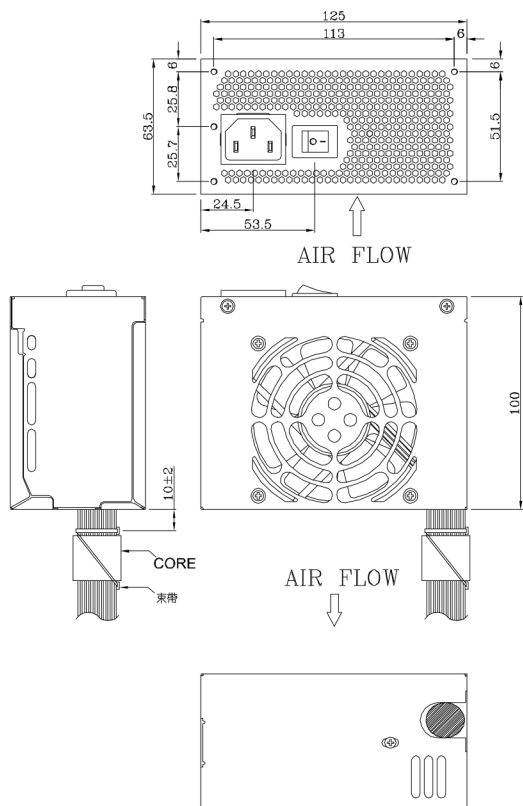


REF. ID.	PIN NO.	SIGNAL	WIRE COLOR	GAUGE	CONNECTOR TYPE	CABLE LENGTH		
P1	1	+3.3VDC	ORANGE	18	C4202H02-A4P+, C4202H02-A20P+ or EQUIV.	320 \pm ₋₁₀ ⁺²⁰ mm		
	2	+3.3VDC	ORANGE	18				
	3	COM	BLACK	18				
	4	+5VDC	RED	18				
	5	COM	BLACK	18				
	6	+5VDC	RED	18				
	7	COM	BLACK	18				
	8	PW-OK	GRAY	24				
	9	+5Vsb	PURPLE	20				
	10	+12V1	YELLOW	18				
	11	+12V1	YELLOW	18				
	12	+3.3VDC	ORANGE	18				
	13	+3.3VDC	ORANGE	18				
	13	+3.3VSense	BROWN	24				
	14	-12VDC	BLUE	24				
	15	COM	BLACK	18				
	16	PS-ON	GREEN	24				
	17	COM	BLACK	18				
	18	COM	BLACK	18				
	19	COM	BLACK	18				
	20							
	21	+5VDC	RED	18				
	22	+5VDC	RED	18				
	23	+5VDC	RED	18				
24	COM	BLACK	18					
P2	1	+3.3V	ORANGE	20	MOLEX CL1270H00 15P or EQUIV.	320 \pm ₋₁₀ ⁺²⁰ mm		
	2	COM	BLACK	20				
	3	+5V	RED	20				
	4	COM	BLACK	20				
	5	+12V1	YELLOW	20				
P3	1	COM	BLACK	18	MOLEX 39-01-2040 or EQUIV.	320 \pm ₋₁₀ ⁺²⁰ mm		
	2	COM	BLACK	18				
	3	+12V2	YEL/BLK	18				
	4	+12V2	YEL/BLK	18				



NOTE:
 1. ALL THE LENGTH OF OUTPUT WIRES EXCLUDE HOUSING.
 2. 產地標籤依業務指示加貼.

UNIT:mm

P/N.:9PA300A330

MODEL NO. : FSP300-60GLS(F04A62)		TITLE: ASSY		SHEET: 1 OF 1		REV:01	
R&D(8)	PE	CHECKED	DESIGN	DRAWN	DATE		
					DEC.26.2006		
INTERIOR COUNTERSIGN:				ZHOUC			

文件資料管制 文件資料管制 文件資料管制

1 / 1 禁止翻印外洩 發行時間：2006/12/29 6:43 下午