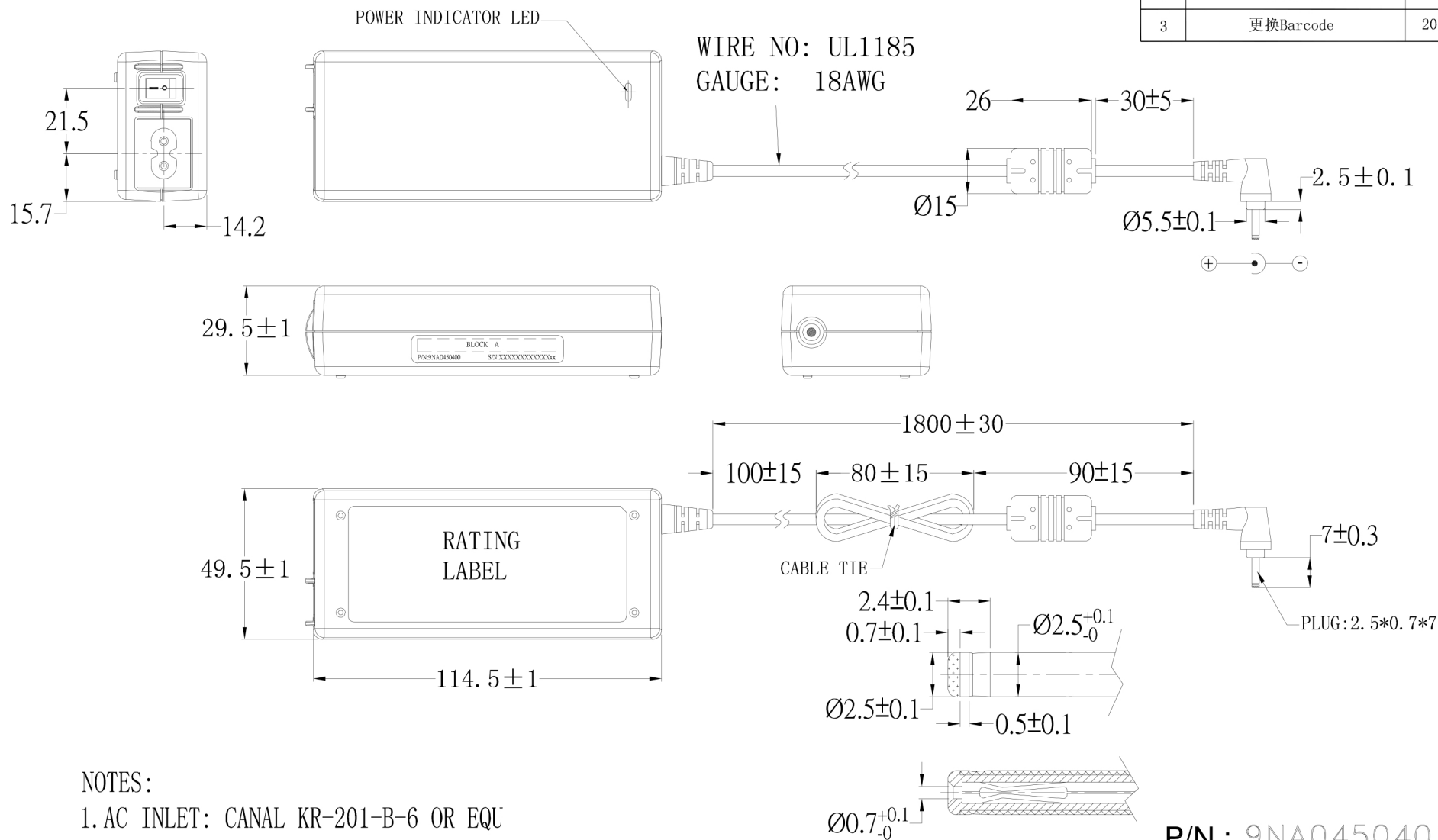


UNIT:mm

REV	修改內容	日期
2	PLUG由9mm改為7mm	2010.08.02
3	更換Barcode	2010.09.01



NOTES:

- 1.AC INLET: CANAL KR-201-B-6 OR EQU
SWITCH: CANAL MR5-110-F8-BBWS-3 OR EQU
- 2.CASE & CABLE COLOR:BLACK
- 3.未注公差为: ±0.5
- 4.超音波溶接

MODEL NO.: FSP045-RHC	OUTLINE	SHEET: 1 OF 1	REV: 3
R&D(SH)	P E	DRAWN	DATE
		caoruling	2010.09.01