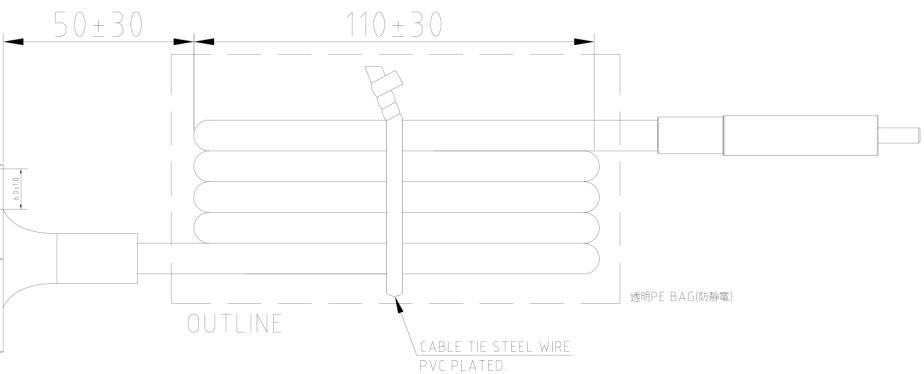
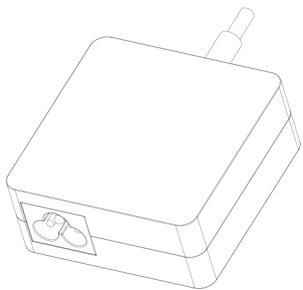
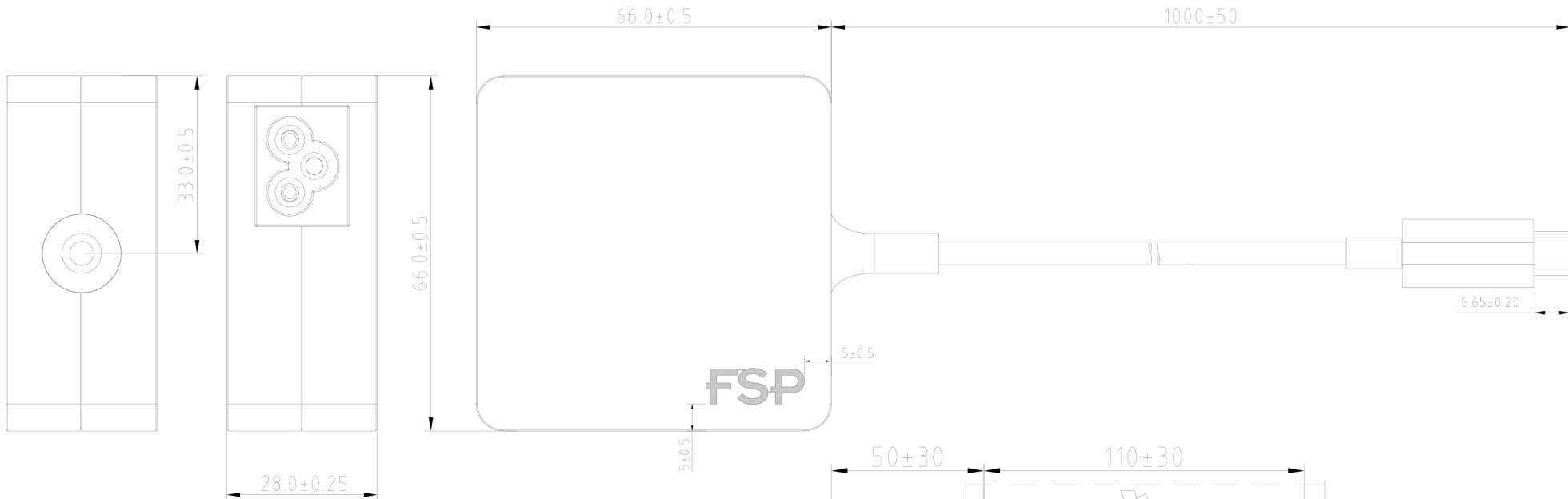


ITEM	PART NAME	COLOR
1	TOP	BLACK
2	BOTTOM	BLACK
3	C6 SOCKET	BLACK
4	POWER CORD	BLACK



P/N: PNA0450200

THIRD ANGLE PROJECTION	DIMENSIONAL TOLERANCES		HOLES :±0.05 ANGLES :±0.5°	
	(V)	()	()	()
SCALE: UNIT: mm	<30	±0.2	DECIMALS	UP~50 :±0.15
	>30~100	±0.3	X	50~100 :±0.2
	>100~200	±0.4	X.X	100~150 :±0.25
	>200~300	±0.5	X.XX	150~200 :±0.3
	ABOVE 300	±0.8		200~250 :±0.35
				UP~600 :±1.5
				600~900 :±2.4
				900~OVER :±3.1

MODEL NO: FSP045-A1BR,(STD0001)		TITLE: Physical Dimension		SHEET: 1 OF 1		REV:01	
R&D3 Division	PE	DRAWN	DATE				
LJ	MATISSE	MATISSE	2018-3-30				
INTERIOR COUNTERSIGN:							