



TPS100-150W VK Series



100 W, 150 W

Input:	85 - 264 VAC, 47 - 63 Hz or 120 - 370 VDC
Output:	5 - 56 VDC
Output Power:	100 - 150 W

Electrical Specifications

Input

Input Range:	85 - 264 VAC or 120 - 370 VDC automatically selected
Frequency:	47 - 63 Hz
Power Factor:	0.99
Leakage Current:	< 0.5 mA @ 50/60 Hz, 264 VAC Input

Output

Output Voltage Adjust:	See Table
Hold-up Time:	20 ms @ full Load, 230 VAC
Ripple/Noise:	< 1% of Output Voltage
Output Power:	Max. 110 - 130 %, Constant Current Limited
Protections:	OVP, OTP

Safety, EMC

CE compliance with Low-Voltage Directive 2014/35/EU
 EMC Directive compliance with 2014/30/EU
 Safety compliance with UL508, UL60950-1, EN60950-1

Environmental

Operating Temperature:	0°C - 70°C Ambient (Derating from 50°C - 70°C)
Electromagnetic Susceptibility:	Meet IEC 801, -2, -3, -4, -5, -6, Level 3
Humidity:	5 - 95 %, Non-Condensing
Storage Temperature:	-25°C - 85°C
Altitude:	3000 m
MTBF Demonstrated:	> 350.000/h at full Load at 25°C Ambient

Installation

See Drawing

Accessories and Packing

1 x Power Supply
 1 x Manual

Special Features

- Constant Current Limited
- OTP, OVP, OLP
- TTL Signal for Remote Sense and Remote On/Off
- Convection Cooled
- 5 Years Warranty

Key Applications

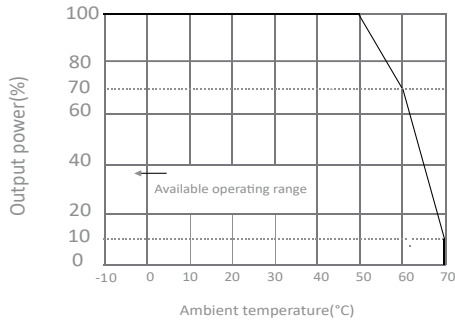
- Inductive Load
- Automation, Alarms and Security
- Switchgear, Controlgear

TPS100-150W VK Series

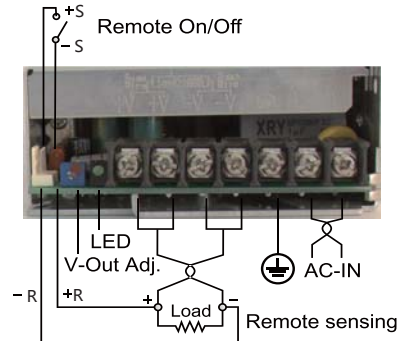


TPS100

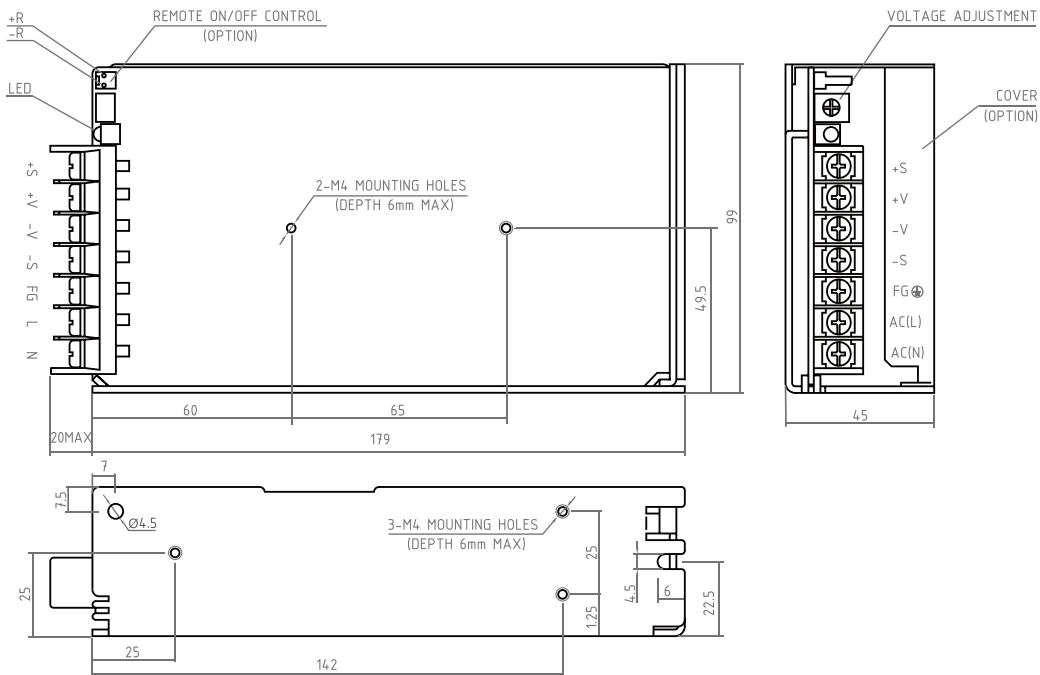
Deratings



Terminal Block and LED Indicator



Mechanical Drawing



Ordering Information

Article No.	Article Name	Voltage (V)	Current (A)	Power (W)	Efficiency
901001616	TPS100-05VK	5 - 6	20	100	86%
901001615	TPS100-12VK	12 - 14.4	8.3	100	86%
901001614	TPS100-15VK	15 - 17	6.66	100	86%
901001612	TPS100-24VK	24 - 28	4.2	100	86%

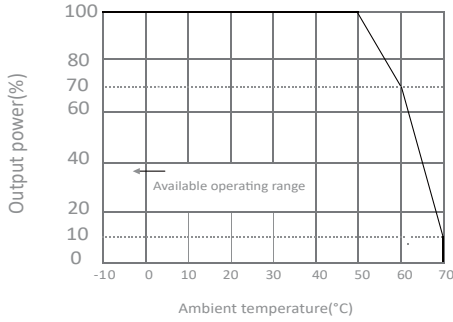
Efficiency measured by Input 220 VAC, full Load



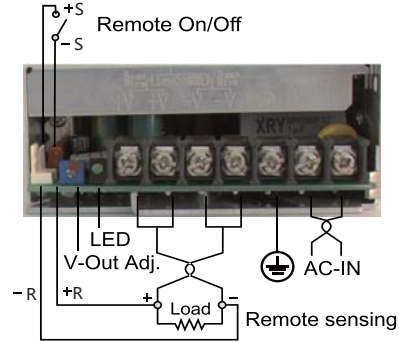
TPS100-150W VK Series

TPS150

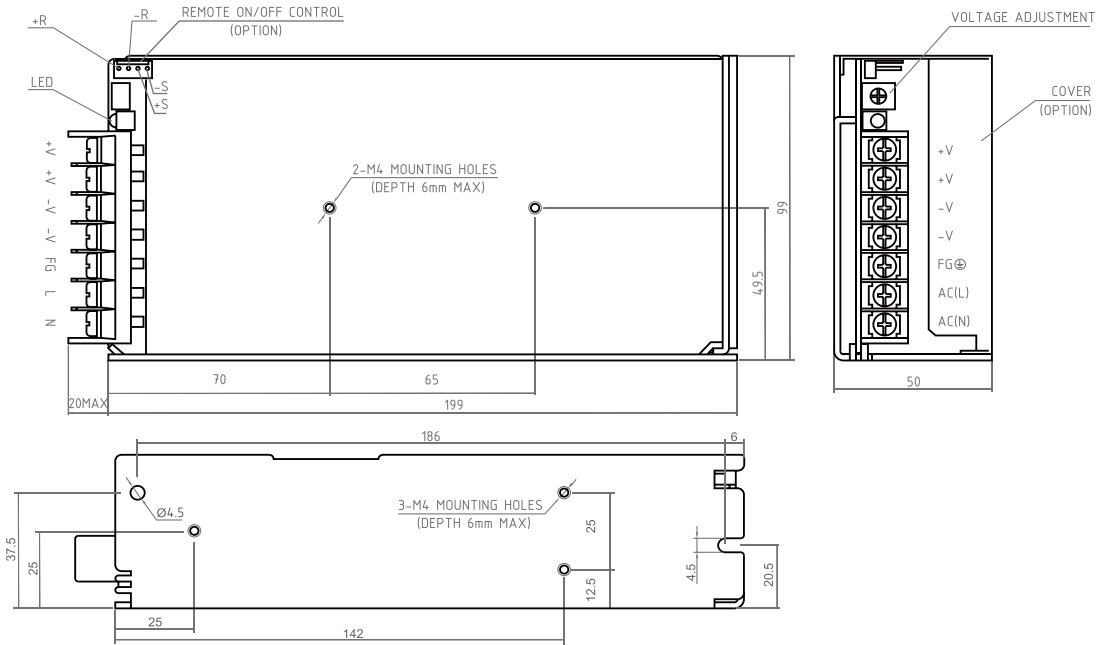
Deratings



Terminal Block and LED Indicator



Mechanical Drawing



Ordering Information

Article No.	Article Name	Voltage (V)	Current (A)	Power (W)	Efficiency
901001700	TPS150-05VK	5 - 6	30	150	86%
901001701	TPS150-12VK	12 - 14.4	12.5	150	86%
901001703	TPS150-15VK	15 - 17	10	150	86%
901001704	TPS150-24VK	24 - 28	6.25	150	86%
901001706-401015	TPS150-48VK	48 - 54	3.2	150	86%

Efficiency measured by Input 220 VAC, full Load