



TPS200-350W VK Series



200 W, 350 W

Input:	85 - 264 VAC, 47 - 63 Hz or 120 - 370 VDC
Output:	See Table
Output Power:	200 - 350 W

Electrical Specifications

Input

Input Range:	85 - 264 VAC or 120 - 370 VDC automatically selected
Frequency:	47 - 63 Hz
Power Factor:	0.99
Leakage Current:	< 0.5 mA @ 50/60 Hz, 264 VAC Input

Output

Output Voltage Adjust:	See Table
Hold-up Time:	20 ms @ full Load, 230 VAC
Ripple/Noise:	< 1 % of Output Voltage
Output Power:	Max. 110 to 130 %, Constant Current Limited
Protections:	OVP, OTP

Safety, EMC

CE compliance with Low-Voltage Directive 2014/35/EU
EMC Directive compliance with 2014/30/EU
Safety compliance with UL508, UL60950-1, EN60950-1

Environmental

Fan Cooling	
Operating Temperature:	0° - 70°C Ambient (Derating from 50°C - 70°C)
Electromagnetic Susceptibility:	Meet IEC 801, -2, -3, -4, -5, -6, Level 3
Humidity:	5 - 95 %, Non-Condensing
Storage Temperature:	-25°C - 85°C
Altitude:	3000 m
MTBF demonstrated:	> 350.000/h at full Load at 25°C Ambient

Installation

See Drawing

Accessories and Packing

- 1 x Power Supply
- 1 x Manual

Special Features

- Constant Current Limited
- OTP, OVP, OLP
- Remote Sense and Remote On/Off
- Fan Cooling
- 5 Years Warranty

Key Applications

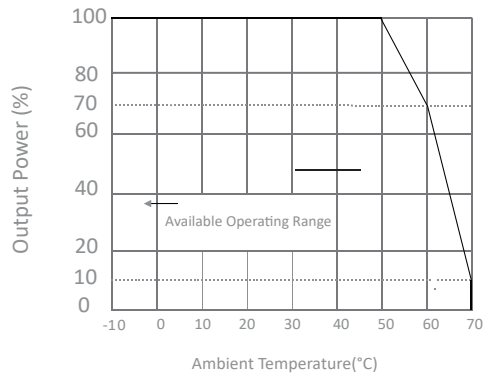
- Motor Drive
- Automation, Alarm and Security
- Switchgear, Control Systems
- DC UPS Systems

TPS200-350W VK Series

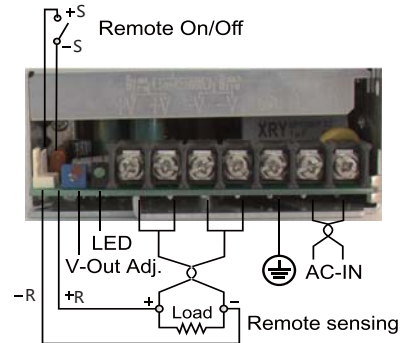


TPS200

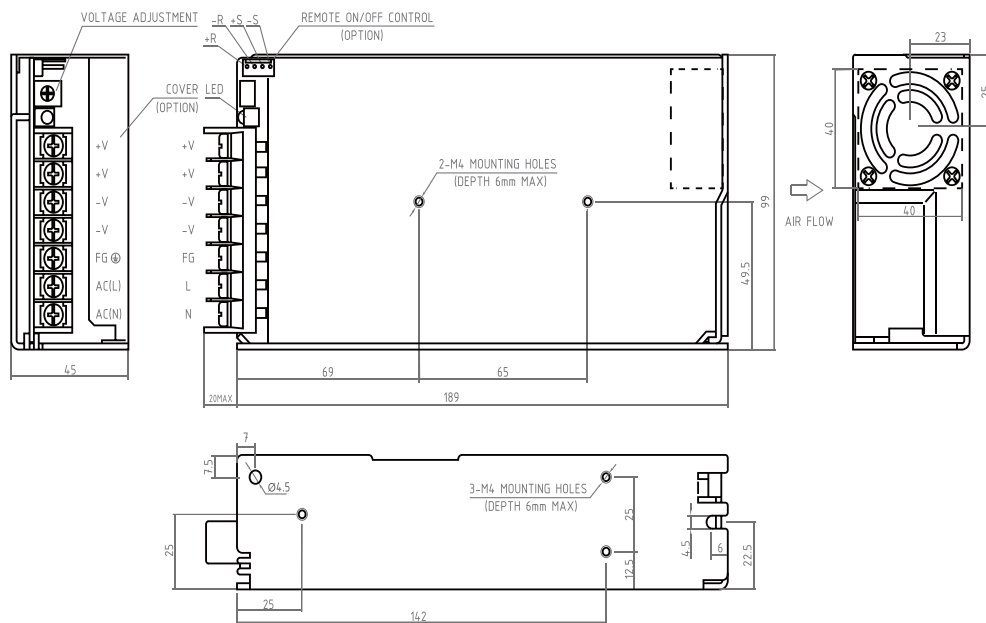
Deratings



Terminal Block and LED Indicator



Mechanical Drawing (mm)



Ordering Information

Article No.	Article Name	Voltage (V)	Current (A)	Power (W)	Efficiency
901001813-42433	TPS200-05VK	5 - 6	40	200	86 %
901001814-42434	TPS200-12VK	12 - 15	16.5	200	87 %
901001816-42435	TPS200-15VK	15 - 17	13	200	87 %
901001812-42436	TPS200-24VK	24 - 28	8.4	200	87 %
901001819	TPS200-54VK	54 - 56	4.2	200	87 %

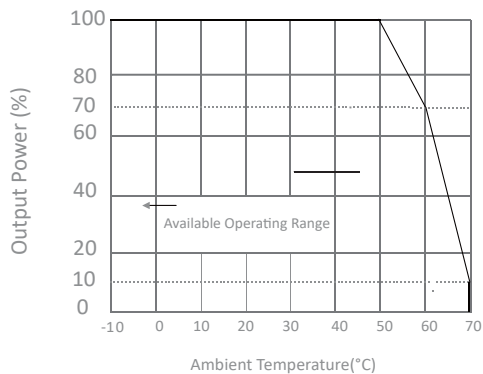
Efficiency measured at Input 220 VAC, Full Load.



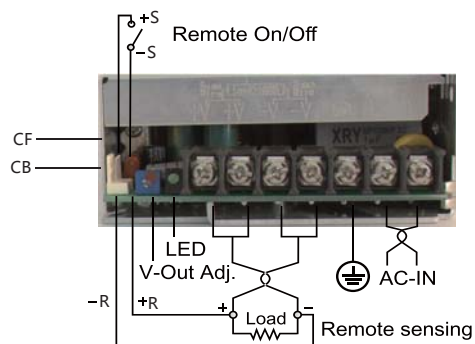
TPS200-350W VK Series

TPS300

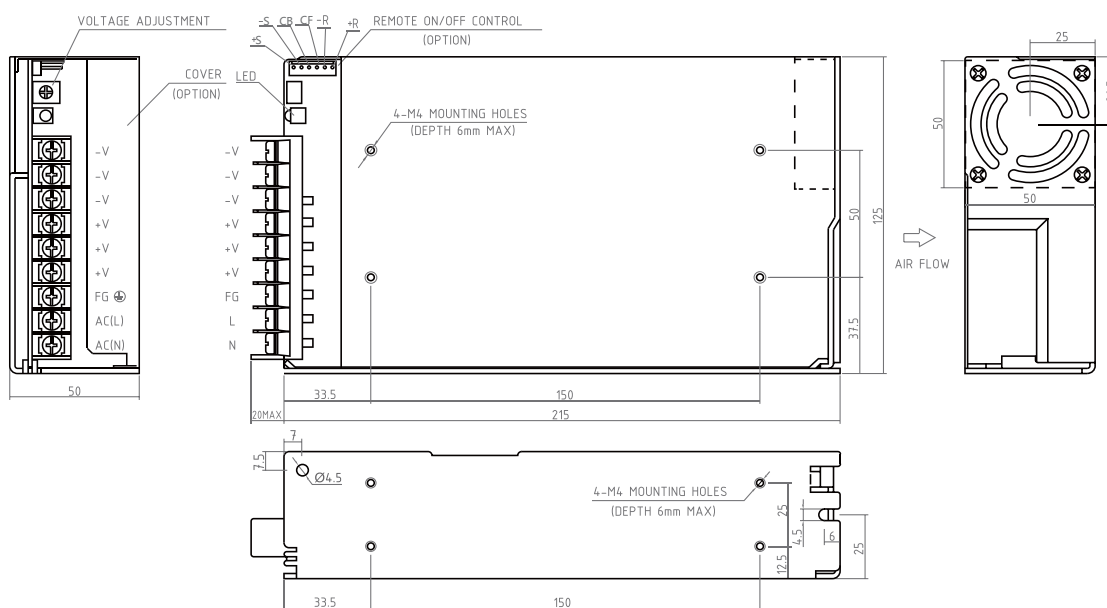
Deratings



Terminal Block and LED Indicator



Mechanical Drawing (mm)



Ordering Information

Article No.	Article Name	Voltage (V)	Current (A)	Power (W)	Efficiency
901001900-42437	TPS300-05VK	5 - 6	60	300	86 %
901001901-42438	TPS300-12VK	12 - 15	30	350	87 %
901001903-42439	TPS300-15VK	15 - 17	23	350	87 %
901001904-42440	TPS300-24VK	24 - 28	14.5	350	87 %
901001906-42441	TPS300-48VK	48 - 54	7.3	350	87 %
901001907	TPS300-54VK	54 - 56	6.3	350	87 %

Efficiency measured at Input 220 VAC, Full Load.