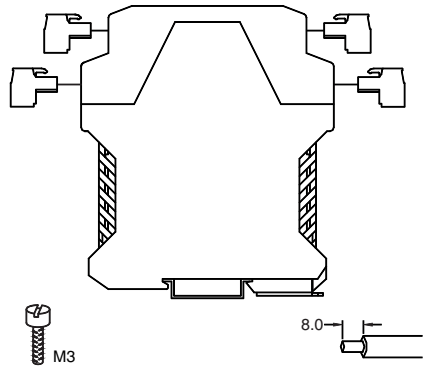


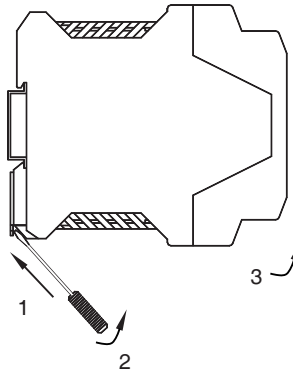
**■ Connections**

- (1)The isolators adopt knock-down terminals.
- (2)The wires are single or multiple cables with a cross section of 0.5 mm<sup>2</sup>~2.5mm<sup>2</sup>.
- (3)A length of 8mm bared wire is locked by the M3 bolt, As shown in figure.



**■ Disassembly**

- (1) Use a screwdriver (edge length≤6mm ) insert the metal lock which at the downside of the isolator;
- (2) Push the screwdriver upwards, and pull the metal lock downwards;
- (3) Take out the isolator from the rail.



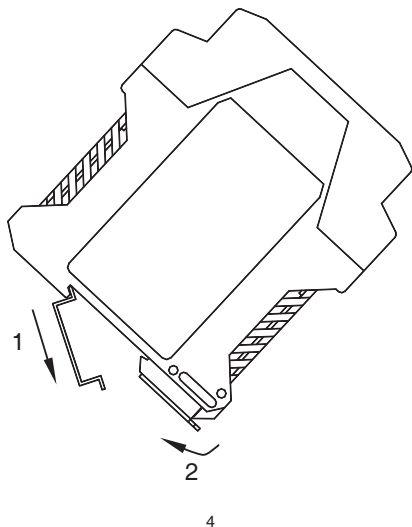
**■ Maintenance**

- (1) Every product has been tested strictly before delivery. If users find any abnormality, please contact the nearest agent or our company.
- (2) In 5 years from delivery date, if the product performs abnormally under normal use conditions, we will repair it for free.

**■ Installation**

Mount the module on a 35mm DIN rail

- (1) Make the upside of the isolator to the rail;
- (2) Push the downside of the isolator towards the rail.



Please read the instruction manual carefully before use the product, and please safekeeping.

**⚠ Caution**

- Please check whether the product type on the package accords to the ordering contract;
- Read this manual carefully before installation or using. If there is something unclear, please dial technic support hotline-400 881 0780;
- Supply voltage is 24VDC, 220VAC is forbidden;
- Users are not allowed to dismantle or repair the Isolator otherwise it will induce malfunction.



TPS Elektronik GmbH \* Senefelder Str. 8 \* 41066 Mönchengladbach www.tps-elektronik.de \* office@tps-elektronik.de \* +49(0)21 61 - 49 52 6 - 0

## ■ Summarize

Analog output isolator, transfer and output 0/4~20mA signal generated by control room isolatedly, to drive the field actuator such as electrical converter, valve positioner .The product needs an independent power supply. Input circuit,output circuit and power supply are each galvanically isolated.

## ■ Specification

**Number of channel:** 1(CZ3067)  
2(CZ3038)

**Supply voltage:** 20~35V DC

**Current consumption:** (at 24V DC supply,20mA signal output)  
≤40mA(CZ3067)  
≤65mA(CZ3038)

**Input:** Current: 0/4~20mA  
Voltage drop: ≤2V  
Maximum current: <30mA

**Output:** Current: 0/4~20mA  
Load resistance:  $R_L \leq 800 \Omega$   
Maximum current: <30mA

Voltage: 0/1~5V  
Load resistance:  $R_L \geq 330k \Omega$

**Transfer accuracy:** 0.1%F.S.

**Temperature drift:** 0.005%F.S./°C

**Response time:** Reach 90% of final value in 2ms

**Power supply protection:**

Protect the product form reverse supply voltge destroy

**Electromagnetic compatibility:** According to GB/T 18268(IEC 61326-1)

**Dielectric strength:**

1500V AC;1minute(among power supply ,input and output )

**Insulation resistance:**

≥100MΩ;500V DC(among power supply,input,output and the shell)

**Weight:** Approx.100g(CZ3067)

Approx.150g(CZ3038)

**Suitable IS apparatus:**

2-wire valve positioner, electric converter

## ■ Operation Conditions

(1). The air should not contain any medium corrupting the coat of chrome, nickel and silver. Moreover, violent quiver and impact or any cause of electromagnetic induction (such as big current or spark, etc.) must be avoided when using.

(2). Operating temperature: -20°C~+60°C

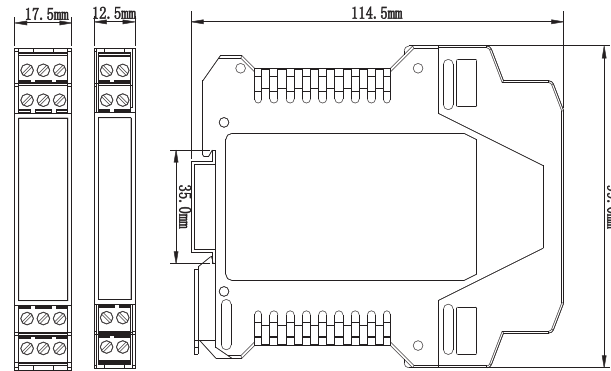
(3). Storage temperature: -40°C~+80°C

(4). Relative humidity: 10%~90%

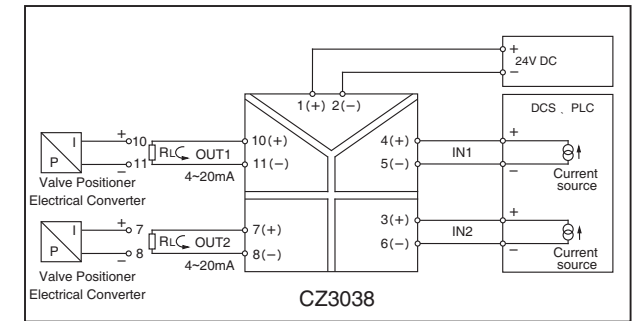
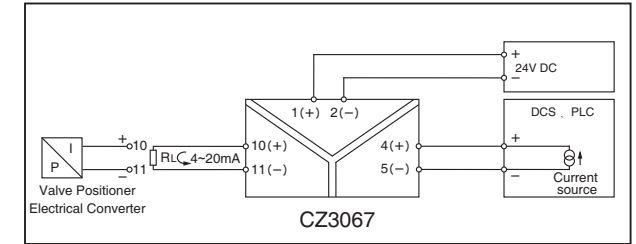
## ■ Dimensions

114.5mm×99.0mm×12.5mm(CZ3067)

114.5mm×99.0mm×17.5mm(CZ3038)



## ■ Application



TPS Elektronik GmbH \* Senefelder Str. 8 \* 41066  
Mönchengladbach www.tps-elektronik.de \*  
office@tps-elektronik.de \* +49(0)21 61 - 49 52 6 - 0