



**Dynamics floating positioning**  
For free & smooth self-adjust dynamics floating upright positioning range up to 9.8" (250mm)  
Product built in durable gas-strut cylinder. Added conical joint between arms provides smooth and stable operation.



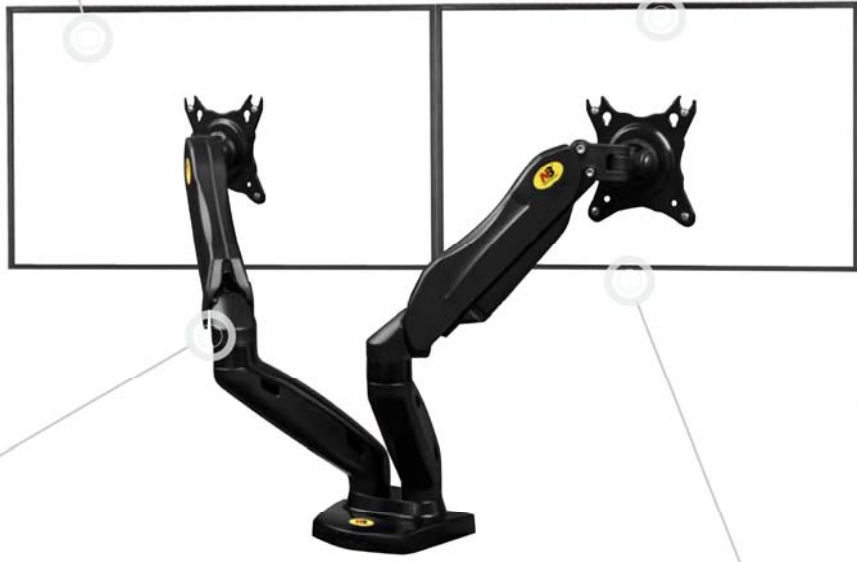
**Round about free rotation**  
roll to orient screen horizontally or vertically.



**Wide range of swivel position**  
Lower and middle pivot joints provide level swivel range up to 180°+



**Integrated cable management system**  
Internal cable management allows cables and wires to be routed inside the plastic cover for clean, clutter-free look.



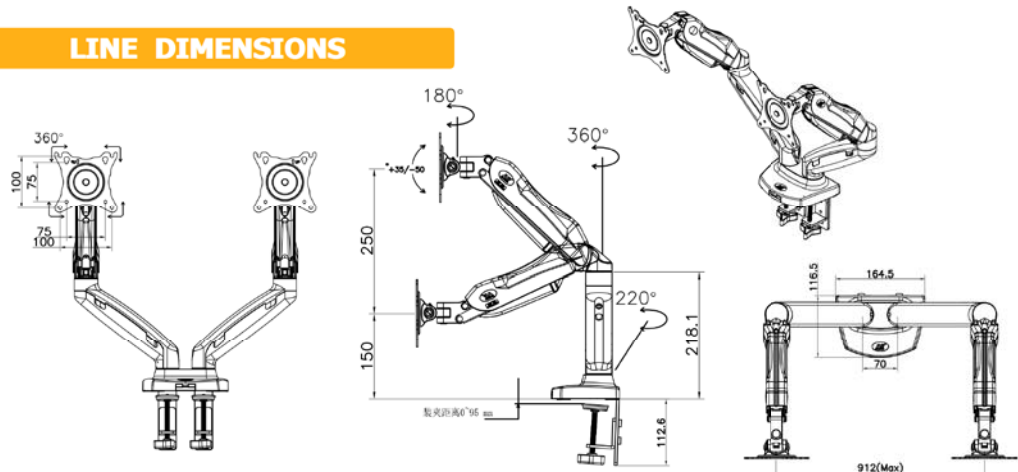
**Spring pivot joint tilt function**  
Gravity spring pivot joint enable tilt your screen and pivot from +35° to -50°



**SPECIFICATIONS**

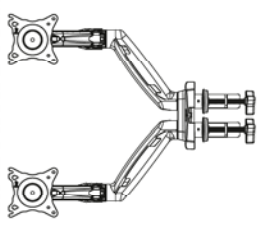
TV size	Load	VESA pattern	Tilt angles	Swivel angles	Roll orientation	Upright	Materials used
17" -27"	4.4-14.3lbs(2-6.5kg)	75*75-100*100mm	+35°/-50°	180°+	360°	9.8" (250mm)(Max)	Alu alloy&plastic

**LINE DIMENSIONS**





### Flexi Full Motion Desk Mount



**F160**  
**Flexi Full Motion Desk Mount**  
 Fits Most Displays Size : 17"-27"  
 Max Load : 4. 4~14.3lbs (2~6.5kg) Single  
 VESA: 75x75, 100x100mm

- Severe personal injury and property damage can result from improper installation or assembly. Read the following warning carefully before beginning.
- Products must be installed by professionals or installers.
  - If you do not understand the instructions or have any concerns or questions, please contact a qualified local installer.
  - Do not use the product or backhaul is damaged or missing. If you do not understand the instructions or have any concerns or questions, please contact your local distributor for assistance.
  - This product fits most 17"-27" LCD / monitor; maximum weight of LCD / monitor: 6.5kg / 14.3lbs.
  - installer-friendly and straight forward.
  - The desk must be sturdy enough to support minimum 3 times the weight of the total load (the weight of the monitor and all accessories weight).
  - Do not use this product for other than the original designed.
  - This product contain moving parts, please use with caution.
  - When installing monitor, please do not damage electrical wiring or power source.
  - Installation and routing of monitor cables on the monitor bracket must comply with important safety instructions.
  - Importantly, main- and data-cables must be secured against twisting and squeezing or shearing.
  - The manufacturer will bear no responsibility to the desk of mounting, or incidental or consequential damages arising therefrom.
  - The manufacturer will not be liable for any damages arising out of the use of, or inability to use, the product.
  - This product is designed for indoor use only, use of this product outdoors could lead to product failure and severe personal injury.
  - ▲ This product contains a high pressure gas spring, fire and percussion prohibited. Also it is strictly prohibited to disassemble without professional. Please return to the manufacturer or authorized service center for repair.
  - ▲ The performance of gas spring, full direction adjustment of the product arm is recommended several times per month.
  - ▲ All images are for reference only. As product in kind prevail.
  - ▲ We reserve the right to modify or alter instructions. No modification or alteration without formal notice.

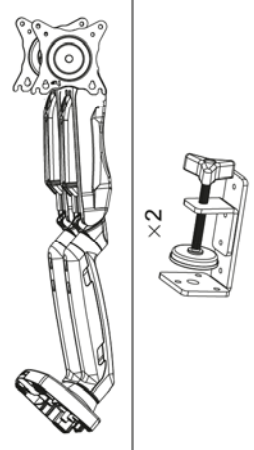
### Symbols

	Tightening Direction 拧紧方向		Loosening Direction 拧松方向		Phillips Screwdriver 螺丝起子		Open-End Wrench 开口扳手		Adjustment 调整		Optional 可选		Remove 移除
	↑ : Torque increased + : 扭矩增大		- : Torque reduced - : 扭矩减小		By Hand 手工		Hex Wrench 六角扳手		Pencil 铅笔		Hand Drill 手电钻		Star Wrench 安全扳手

### F160 Installation Manual

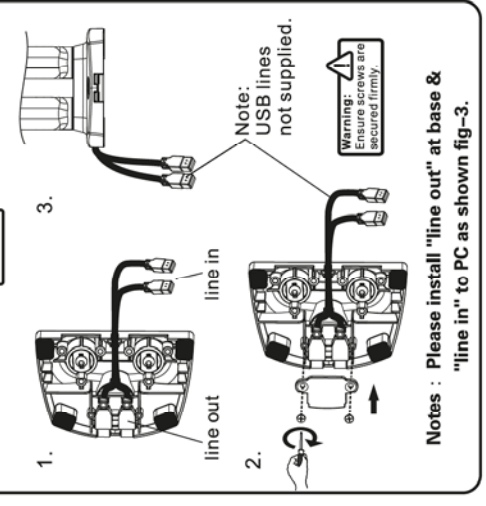
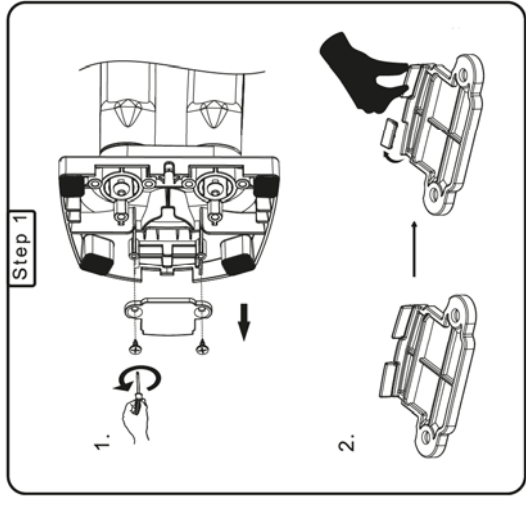
Install mount at table edge  
 or  
 Install mount on desk.

#### Part list

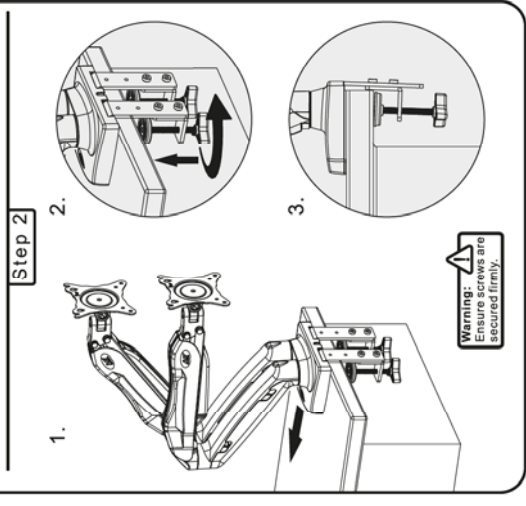
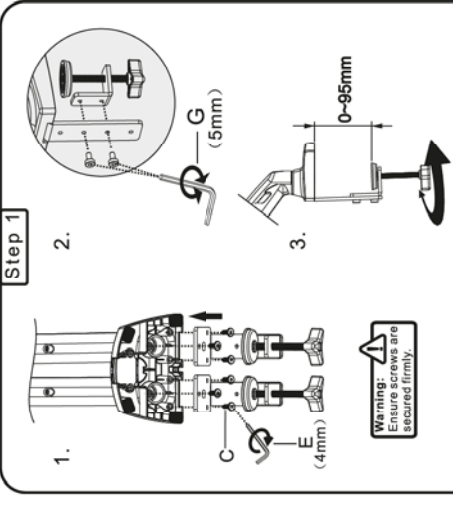


A	(M4x12)-8pcs	B	(M5x12)-8pcs	C	(M6x12)-6pcs
D	(4mm)	E	(4mm)	F	(5mm)
G	(5mm)				

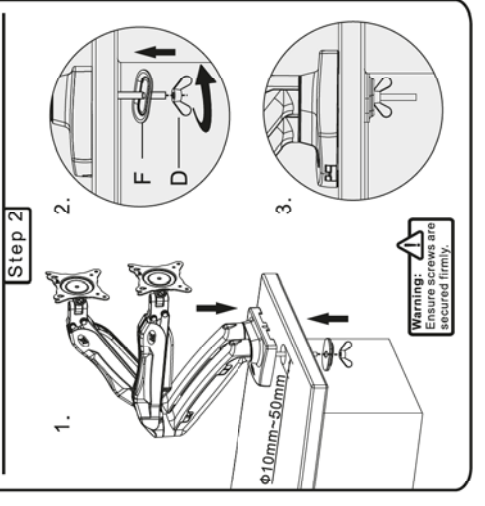
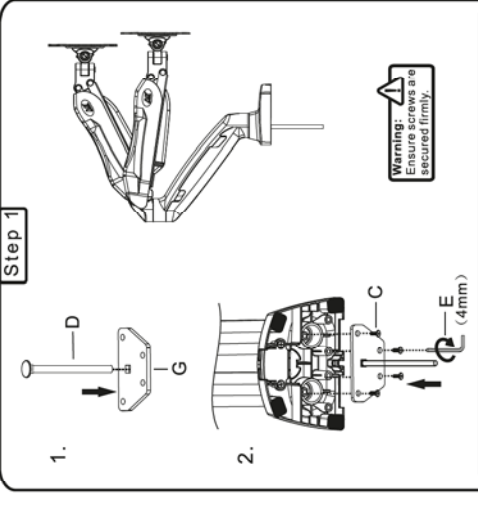
#### A、USB lines installation: ( Users wish )



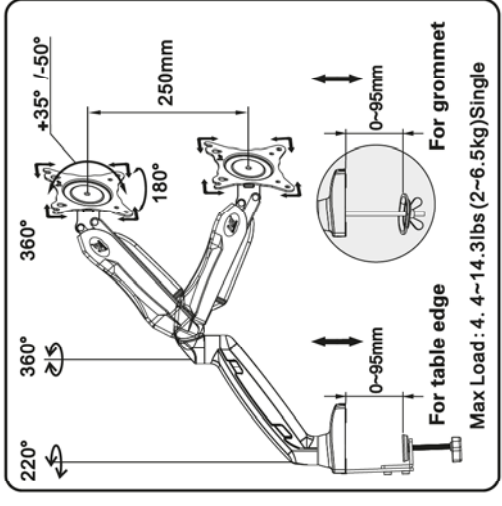
#### B1、Table edge installation:



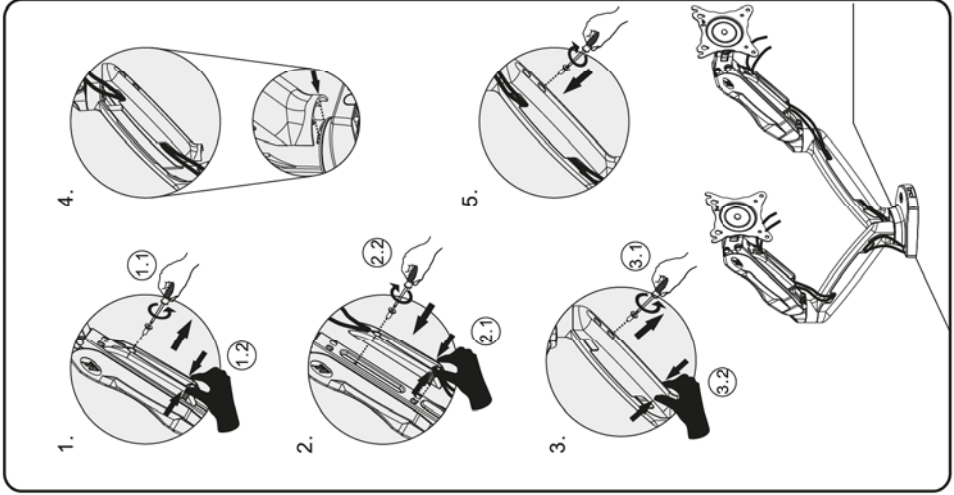
#### B2、Grommet installation:



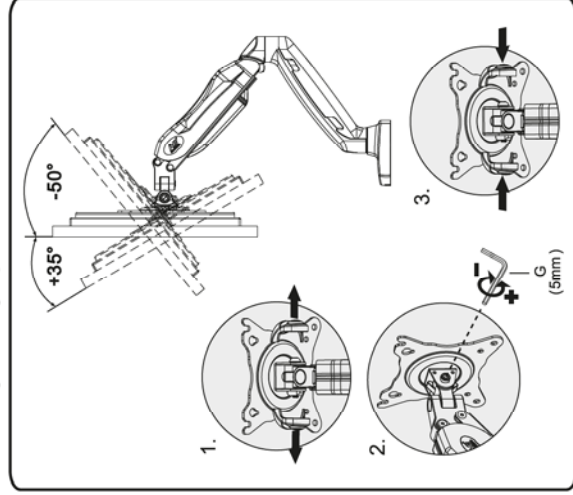
#### Adjustable parameters



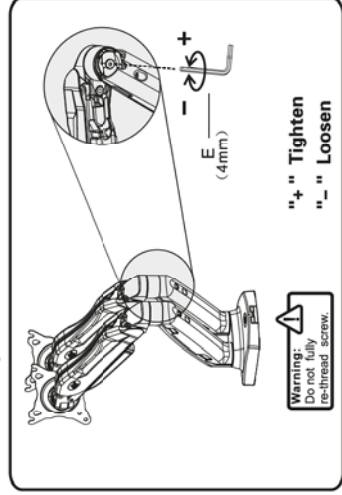
**C. Power and display lines installation**



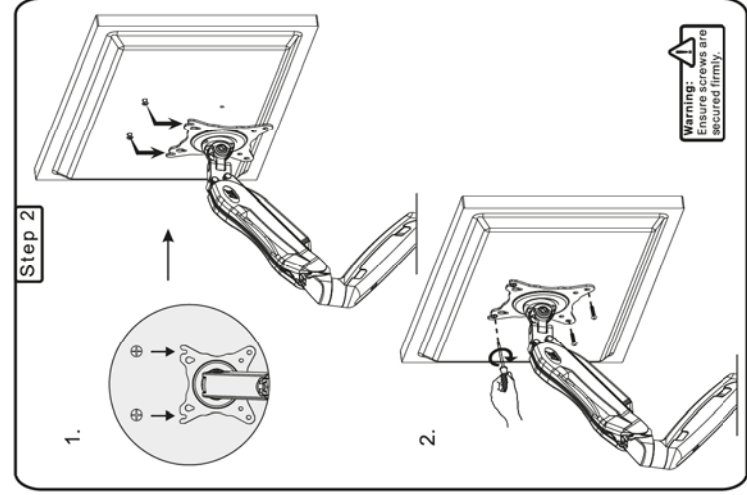
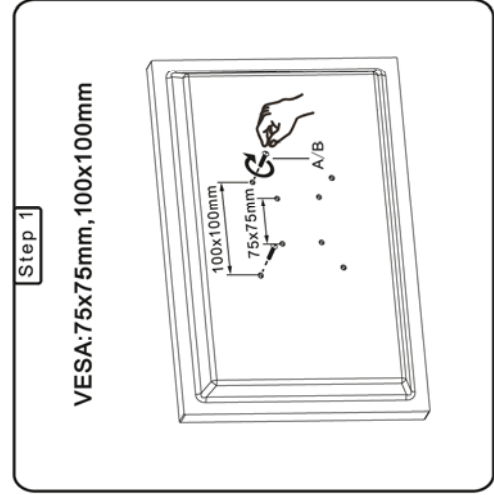
**F. Setting tilt angle position**



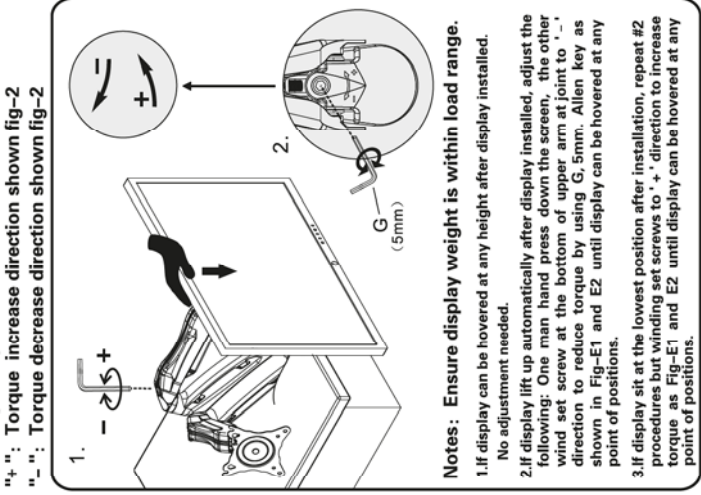
**G. Swivel adjustment**



**D. Display installation**



**E. Torque adjustment**

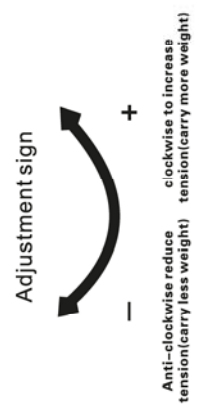


**Notes: Ensure display weight is within load range.**  
 1. If display can be hovered at any height after display installed. No adjustment needed.  
 2. If display lift up automatically after display installed, adjust the following: One hand press down the screen, the other wind set screw at the bottom of upper arm at joint to '- ' direction to reduce torque by using G, 5mm. Allen key as shown in Fig-E1 and E2 until display can be hovered at any point of positions.  
 3. If display sit at the lowest position after installation, repeat #2 procedures but winding set screws to '+ ' direction to increase torque as Fig-E1 and E2 until display can be hovered at any point of positions.

**TENSION ADJUSTMENT AFTER WALL MOUNT INSTALLATION**



- Do not adjust tension without putting on display.**
1. Ensure display has been put onto mount.
  2. Read your display packaging or manual to find out display net weight.
  3. Ensure display net weight between 4.4-14.3lbs (2.0-6.5kg).



**Warning!**



Address: South of Xinxing Road, Economic Development Zone, Kunshan City, Jiangsu Province, China. 215533.

TEL: 86-512-57971777  
 FAX: 86-512-57970776

www.nbmount.com.cn