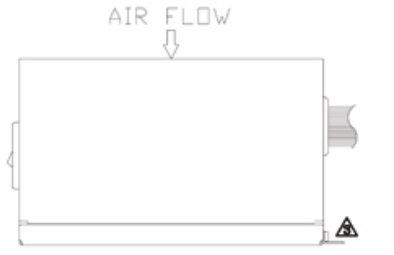
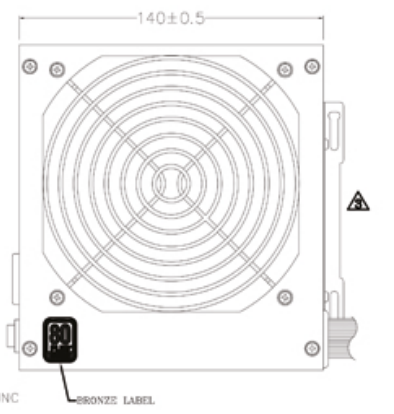
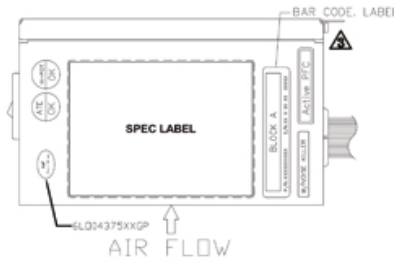
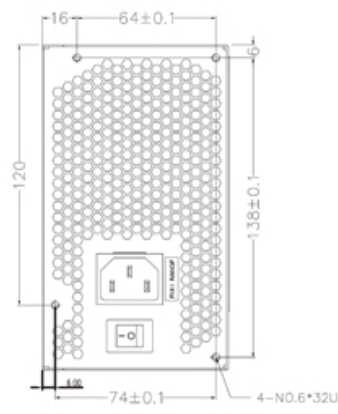
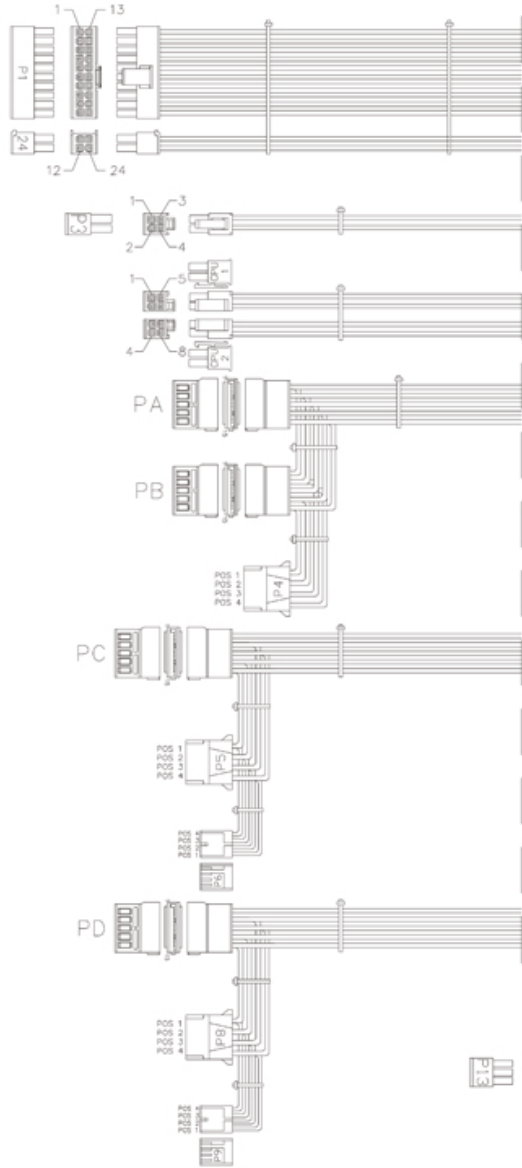




REF. ID.	PIN NO.	SIGNAL	WIRE COLOR	GAUGE	CONNECTOR TYPE	CABLE LENGTH		
P1/ 24	1	+3.3VDC	ORANGE	18	WST P20-I42002K11D+ P4-I42002K11D or EQUIV.	500±70mm		
	2	+3.3VDC	ORANGE	18				
	3	COM	BLACK	18				
	4	+5VDC	RED	18				
	5	COM	BLACK	18				
	6	+5VDC	RED	18				
	7	COM	BLACK	18				
	8	P.W_OK	GRAY	24				
	9	+5Vsb	PURPLE	20				
	10	+12V1	YELLOW	16				
	11	+12V1	YELLOW	16				
	12	+3.3VDC	ORANGE	18				
	13	+3.3VDC	ORANGE	18				
	14	+3.3Sense	BROWN	24				
	15	-12VDC	BLUE	24				
	16	COM	BLACK	18				
	17	PS_ON#	GREEN	24				
	18	COM	BLACK	18				
	19	COM	BLACK	18				
	20							
	21	+5VDC	RED	18				
	22	+5VDC	RED	18				
	23	+5VDC	RED	18				
	24	COM	BLACK	18				
P3	1	COM	BLACK	18	MOLEX 39-01-2040 or EQUIV.	400±70mm		
	2	COM	BLACK	18				
	3	+12V2	YEL/BLK	16				
	4	+12V2	YEL/BLK	16				
CPU1 CPU2	1	COM	BLACK	18	WST P4-I42002K3B+ P4-I42002K4B or EQUIV.	400±70mm		
	2	COM	BLACK	18				
	3	COM	BLACK	18				
	4	COM	BLACK	18				
	5	+12V1	YELLOW	18				
	6	+12V1	YELLOW	18				
	7	+12V2	YEL/BLK	18				
	8	+12V2	YEL/BLK	18				
PA	1	+3.3VDC	ORANGE	20	MOLEX SD-67582-001 or EQUIV.	320±70mm		
	2	COM	BLACK	20				
	3	+5VDC	RED	20				
	4	COM	BLACK	20				
	5	+12V1	YELLOW	20				
PB	1	+3.3VDC	ORANGE	20	MOLEX SD-67582-001 or EQUIV.	150±10mm		
	2	COM	BLACK	20				
	3	+5VDC	RED	20				
	4	COM	BLACK	20				
	5	+12V1	YELLOW	20				
PC PD	1	+3.3VDC	ORANGE	20	MOLEX SD-67582-001 or EQUIV.	400±70mm		
	2	COM	BLACK	20				
	3	+5VDC	RED	20				
	4	COM	BLACK	20				
	5	+12V1	YELLOW	20				
P10	1	+12V1	YELLOW	20	AMP 1-480424-0 or EQUIV.	400±70mm		
	2	COM	BLACK	20				
	3	COM	BLACK	20				
	4	+5VDC	RED	20				
P4/P5 P8/P11 P12	1	+12V1	YELLOW	22	AMP 1-480424-0 or EQUIV.	150±10mm		
	2	COM	BLACK	22				
	3	COM	BLACK	22				
P6 P9	1	+5VDC	RED	22	AMP 171822-4 or EQUIV.	150±10mm		
	2	COM	BLACK	24				
	3	COM	BLACK	24				
	4	+12V1	YELLOW	24				
P13	1	+12V1	YELLOW	20	WST P6-I42002BK5 or EQUIV.	400±70mm		
	2	+12V1	YELLOW	20				
	3	+12V1	YELLOW	20				
	4	COM	BLACK	20				
	5	COM	BLACK	20				
	6	COM	BLACK	20				



P/N.:9PA5003303

MODEL NO. :FSP500-60GHN(85),(F04001)		TITLE:ASSY		SHEET: 1 OF 1		REV:03	
R&D 8		PE		DRAWN		DATE	
				楊文		2010-06-23	

NOTE:

- ALL THE LENGTH OF OUTPUT WIRES EXCLUDE HOUSING.
- 產地標籤依業務指示加貼.
- PCL-E為黑色膠殼

修改版次序號	修改內容	修改者備註
1	增加支架	楊文



UNIT:mm